

6,9 gRB-URB DIN German Standard

German Standard

500 - 690V AC

gRB-URB FROM 20 TO 400A

Size: 000

Features/Benefits:

- Extremely high interrupting rating
- Protection of power semiconductors according to IEC 269.1 and EN 60269.4
- 500-690V [Rating 20 to 400A]
- gR class [gRB Ratings 20 to 125A] according to VDE 636-23
 - Full range protection
 - Improved safety and protection
 - Allows selective coordination
- aR class [current rating 80 to 400A] according to VDE 636-23 and IEC 269.4
- 3 models complying with DIN 43653-00C are:
 - With or without blown fuse indication
 - With trip indicator
- Model complying with DIN 43620 (00C)
 - Standard with or without blown fuse indication
 - With trip indicator



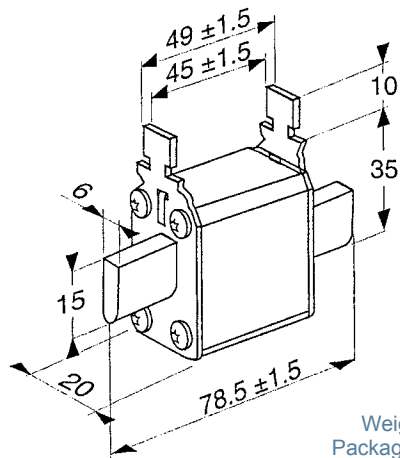
Applications Data

| Voltage Rating U_N (V) | Class | Current Rating I_N (A) | Melting I^2t @ 1 ms (A ² s) | Total Clearing I^2t @ Rated Voltage (A ² s) | Watts Loss | | Tested Interrupting Rating | Estimated Interrupting Rating |
|-----------------------------|-------|-----------------------------|--|--|------------|-------|----------------------------------|-------------------------------------|
| | | | | | 0.8 I_N | I_N | | |
| 690 | gRB | 20 | 12 | 80 | 3.8 | 7 | 200 kA @ 660 V | 300 kA @ 660 V |
| | | 25 | 20 | 150 | 5.0 | 9 | | |
| | | 32 | 39 | 270 | 5.5 | 10 | | |
| | | 40 | 70 | 460 | 6.6 | 12 | | |
| | | 50 | 102 | 730 | 7.7 | 14 | | |
| | | 63 | 210 | 1500 | 8.8 | 16 | | |
| | | 80 | 475 | 2900 | 9.9 | 18 | | |
| | | 100 | 970 | 6000 | 11 | 20 | | |
| 690 | URB | 80 | 390 | 2500 | 11.6 | 21 | 120 kA @ 500 V | |
| | | 100 | 690 | 4200 | 12.7 | 23 | | |
| | | 125 | 1300 | 8900 | 14.3 | 26 | | |
| | | 160 | 2700 | 16000 | 17.0 | 31 | | |
| | | 200 | 5250 | 31500 | 19.8 | 36 | | |
| 660 | | 315 | 15500 | 82000 | 31.9 | 58 | | |
| 500 | | 350 | 22400 | 110000 | 31.9 | 58 | | |
| | | 400 | 33200 | 160000 | 36.3 | 66 | | |

Minimum operating voltage for blown fuse indicator: 20 V

6,9 gRB-URB DIN German Standard

German Standard Blade-Type DIN 43620**



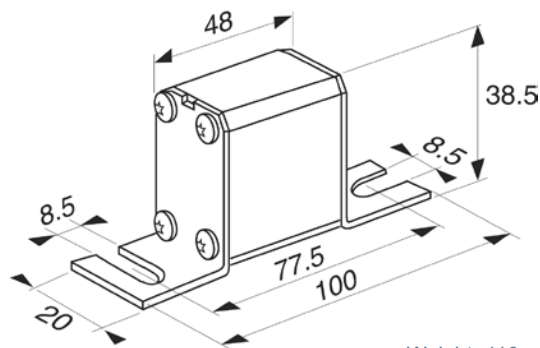
Weight: 150 g
Packaging: 3 pieces

Microswitches
MS 4L 2-5 B6 + PRES Ref. F210156
MS 4L 2-5 B2 + PRES Ref. G210157
* Fuse Base: 41002-G

| Size | Description | Cat. No. | CI/I _N |
|------|---------------------|----------|-------------------|
| 16 | 6,9 GRB 000 PV 016 | Y210609 | 1 |
| 20 | 6,9 GRB 000 PV 020 | Z210610 | 1 |
| 25 | 6,9 GRB 000 PV 025 | A210611 | 1 |
| 32 | 6,9 GRB 000 PV 032 | B210612 | 1 |
| 40 | 6,9 GRB 000 PV 040 | C210613 | 1 |
| 50 | 6,9 GRB 000 PV 050 | D210614 | 1 |
| 63 | 6,9 GRB 000 PV 063 | E210615 | 1 |
| 80 | 6,9 GRB 000 PV 080 | F210616 | 1 |
| 100 | 6,9 GRB 000 PV 100 | G210617 | 1 |
| 125 | 6,9 GRB 000 PV 125 | H210618 | 1 |
| 80 | 6,9 URD 000 PV 0080 | Q320059 | 1 |
| 100 | 6,9 URD 000 PV 0100 | V320063 | 1 |
| 125 | 6,9 URD 000 PV 0125 | X320065 | 0,95 |
| 160 | 6,9 URD 000 PV 0160 | B320069 | 0,85 |
| 200 | 6,9 URD 000 PV 0200 | D320071 | 0,85 |
| 250 | 6,9 URD 000 PV 0250 | H320075 | 0,8 |
| 315 | 6,9 URD 000 PV 0315 | M320079 | 0,7 |
| 350 | 5 URB 000 PV 350 | R210626 | 0,7 |
| 400 | 5 URB 000 PV 400 | S210627 | 0,65 |

These fuses are not UL recognized.

German Standard without Blown Fuse Indicator



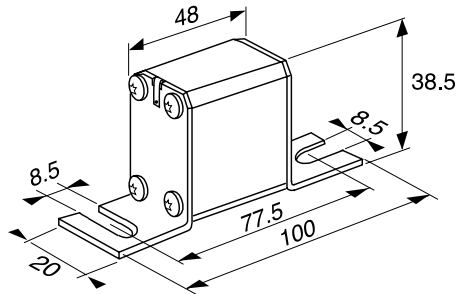
Weight: 110 g
Packaging: 6 pieces

* Fuse Base: SI 000 DIN 80
Ref. Number: C 220710

| Size | Description | Cat. No. | CI/I _N |
|------|-----------------------|----------|-------------------|
| 20 | 6,9 GRB 000 D08 / 020 | D330030 | 1 |
| 25 | 6,9 GRB 000 D08 / 025 | E330031 | 1 |
| 32 | 6,9 GRB 000 D08 / 032 | F330032 | 1 |
| 40 | 6,9 GRB 000 D08 / 040 | G330033 | 1 |
| 50 | 6,9 GRB 000 D08 / 050 | H330034 | 1 |
| 63 | 6,9 GRB 000 D08 / 063 | J330035 | 1 |
| 80 | 6,9 GRB 000 D08 / 080 | A330073 | 1 |
| 100 | 6,9 GRB 000 D08 / 100 | S330112 | 1 |
| 125 | 6,9 GRB 000 D08 / 125 | T330113 | 0,9 |
| 80 | 6,9 URB 000 D08 / 080 | K330036 | 1 |
| 100 | 6,9 URB 000 D08 / 100 | L330037 | 1 |
| 125 | 6,9 URB 000 D08 / 120 | M330038 | 0,9 |
| 160 | 6,9 URB 000 D08 / 160 | N330039 | 0,85 |
| 200 | 6,9 URB 000 D08 / 200 | P330040 | 0,85 |
| 250 | 6,9 URB 000 D08 / 250 | Q330041 | 0,8 |
| 315 | 6,9 URB 000 D08 / 315 | R330042 | 0,7 |
| 350 | 5 URB 000 D08 / 350 | V330114 | 0,7 |
| 400 | 5 URB 000 D08 / 400 | D330191 | 0,65 |

6,9 gRB-URB DIN German Standard

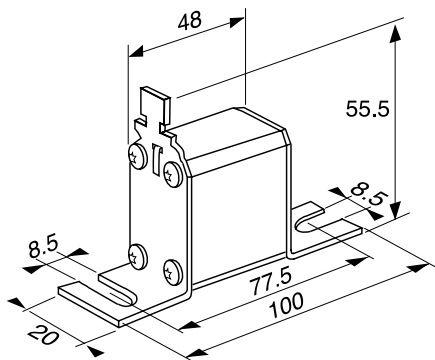
German Standard with Blown Fuse Indication



| Current Rating | Description | Cat. No. | I/N Fuse Base* |
|----------------|----------------------|----------|----------------|
| 20 | 6,9 gRB 000 DO8V/020 | P330017 | 1 |
| 25 | 6,9 gRB 000 DO8V/025 | Q330018 | 1 |
| 32 | 6,9 gRB 000 DO8V/032 | R330019 | 1 |
| 40 | 6,9 gRB 000 DO8V/040 | S330020 | 1 |
| 50 | 6,9 gRB 000 DO8V/050 | T330021 | 1 |
| 63 | 6,9 gRB 000 DO8V/063 | V330022 | 1 |
| 80 | 6,9 gRB 000 DO8V/080 | G330102 | 1 |
| 100 | 6,9 gRB 000 DO8V/100 | Q330110 | 1 |
| 125 | 6,9 gRB 000 DO8V/125 | R330111 | 0,9 |
| 80 | 6,9 URB 000 DO8V/080 | W330023 | 1 |
| 100 | 6,9 URB 000 DO8V/100 | X330024 | 1 |
| 125 | 6,9 URB 000 DO8V/125 | Y330025 | 0,95 |
| 160 | 6,9 URB 000 DO8V/160 | Z330026 | 0,85 |
| 200 | 6,9 URB 000 DO8V/200 | A330027 | 0,85 |
| 250 | 6,9 URB 000 DO8V/250 | B330028 | 0,8 |
| 315 | 6,9 URB 000 DO8V/315 | C330029 | 0,7 |
| 350 | 5 URB 000 DO8V/350 | W330115 | 0,7 |
| 400 | 5 URB 000 DO8V/400 | E330192 | 0,65 |

*Fuse Base: SI 000 DIN 80
Ref. Number: C 220710

German Standard with Separate Blown Fuse Trip-Indicator



| Current Rating | Description | Cat. No. | I/N Fuse Base* |
|----------------|----------------------|----------|----------------|
| 20 | 6,9 gRB 000 DO8L/020 | J330173 | 1 |
| 25 | 6,9 gRB 000 DO8L/025 | K330174 | 1 |
| 32 | 6,9 gRB 000 DO8L/032 | L330175 | 1 |
| 40 | 6,9 gRB 000 DO8L/040 | M330176 | 1 |
| 50 | 6,9 gRB 000 DO8L/050 | N330177 | 1 |
| 63 | 6,9 gRB 000 DO8L/063 | P330178 | 1 |
| 80 | 6,9 gRB 000 DO8L/080 | Q330179 | 1 |
| 100 | 6,9 gRB 000 DO8L/100 | R330180 | 1 |
| 125 | 6,9 gRB 000 DO8L/125 | S330181 | 0,9 |
| 80 | 6,9 URB 000 DO8L/080 | T330182 | 1 |
| 100 | 6,9 URB 000 DO8L/100 | V330183 | 1 |
| 125 | 6,9 URB 000 DO8L/125 | W330184 | 0,9 |
| 160 | 6,9 URB 000 DO8L/160 | X330185 | 0,85 |
| 200 | 6,9 URB 000 DO8L/200 | Y330186 | 0,85 |
| 250 | 6,9 URB 000 DO8L/250 | Z330187 | 0,8 |
| 315 | 6,9 URB 000 DO8L/315 | A330188 | 0,7 |
| 350 | 5 URB 000 DO8L/350 | B330189 | 0,7 |
| 400 | 5 URB 000 DO8L/400 | F330193 | 0,65 |

Microswitch
MC 4L 2-5 B6 + PRES Ref. Number: F210156
MC 4L 2-5 B2 + PRES Ref. Number: G210157
*Fuse Base: SI 000 DIN 80 Ref. Number: C220710