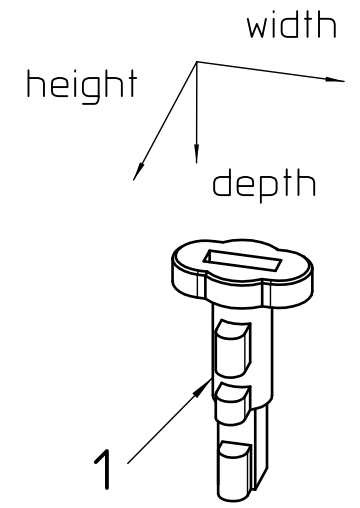
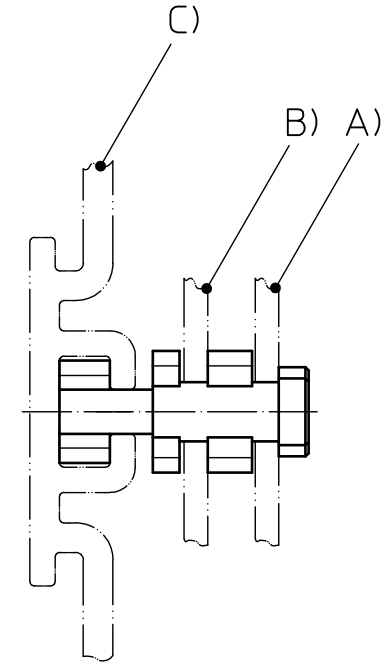
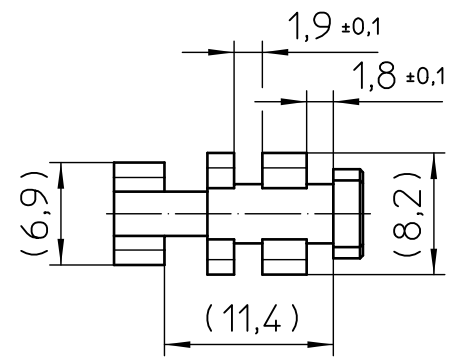
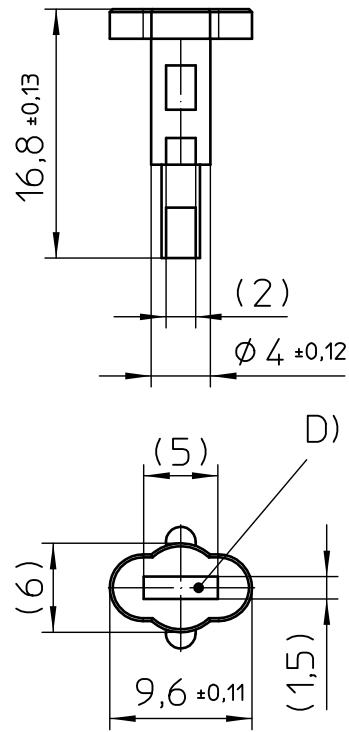


Weitergabe sowie Vervielfältigung dieses Dokuments, Verwertung und Mitteilung seines Inhalts sind verboten, soweit nicht ausdrücklich gestattet. Zuwiderhandlungen verpflichten zu Schadenersatz. Alle Rechte für den Fall der Patent-, Gebrauchsmuster- oder Designeintragung vorbehalten.

Transfer or duplication of this document as well as the utilisation or communication of its content are not permitted unless express consent is granted. Violations give rise to claims for damages. All rights reserved in case of patent, utility model or design patent registrations.



General Information:

- Simplified representation
- Document excluded from change process
- Linear dimensions [mm]
- Tolerances apply in a normal climate according to DIN EN ISO 291-23/50-2
- PA plastic parts with about 2% (% by weight) moisture content.
- Web: www.phoenixcontact.com webcode: #0313 / #0314

Additional Information:

- A) PCB level 2 (PCB t=1,6 ± 0,2)
- B) PCB level 3 (PCB t=1,6 ± 0,2)
- C) UM... PROFIL ...
- D) Slot for screwdriver SZF 0-0,4x2,5

Pos.	QTY	Description	Material		
1	1	CENTER LOCK	PA		
		document-No. / RI	date	scale	
		01029300 / 00	13.02.2019	2:1	
		ident.-No.	document-type		
		2202029	TECDCOC 2D_Productdrawing		
page 1 of 1		description			
		UM-BASIC/PRO PCB C-LOCK L2KMGY			