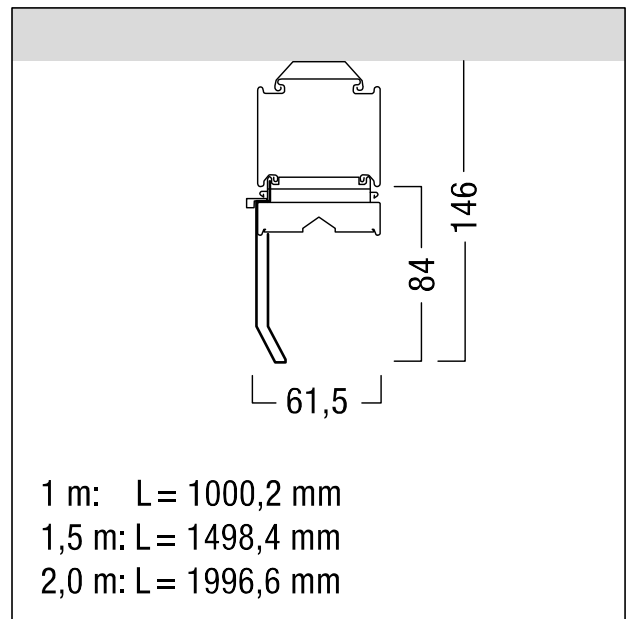


## LED continuous-row luminaire

Linear, energy-efficient TECTON LED continuous-row luminaire with 64 highly efficient mid-power LEDs per segment. Luminaire input power: 45.4 W, DALI controllable luminaire with LED converter, makes environmental and financial sense. LED service life lasts 100000 h before luminous flux is reduced to 95% of the initial value. Chromaticity tolerance (initial MacAdam): 2. Luminaire efficacy: 169 lm/W. Luminaire luminous flux: 7690 lm. Luminaire with WALLWASHER distribution characteristic. Colour rendering Ra > 80, colour temperature 6500 K. Split lens concept for reducing perceived glare. Overlapping PMMA lenses achieve IP50 protection for LED and optic. All-in-one solution: lighting batten, lamp and reflector are combined in one product to produce a 100 % continuous ribbon of LED light without gaps. High-quality look in a design that matches the trunking. Dimming level for DC mode preset to 15 %. LED continuous-row luminaire of sheet steel, enamelled in polyester lacquer finish, white. 100% flexible, tool-free mechanical and electrical installation using CLIX-technology by means of two side-mounted rotary levers on the TECTON trunking. No ultraviolet or infrared radiation. The white powder-coated aluminium reflector supplied with the luminaire click-fits onto the luminaire without tools (can be fitted on either side). Please order reflector end caps separately. Ambient temperature: -20°C to +35°C. Luminaire wired with halogen-free leads, silicone-free. Note: please talk to your adviser if you are planning to use the luminaire in environments containing chemical pollutants. Dimensions: 1498 x 62 x 146 mm. Weight: 2.8 kg.



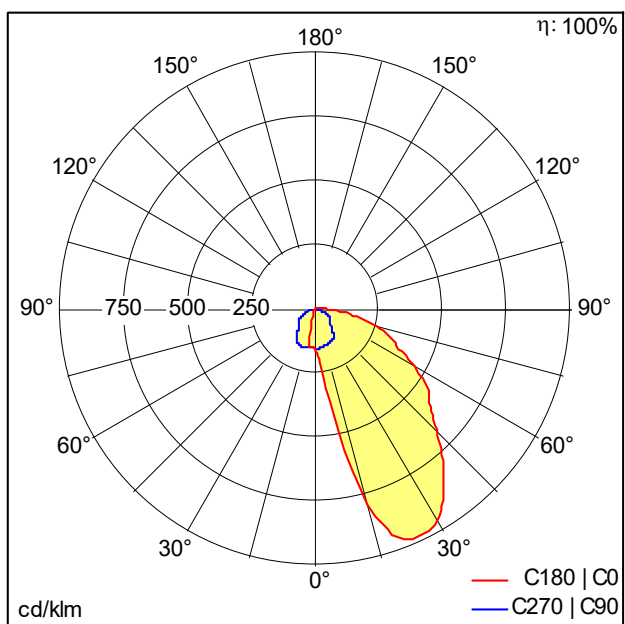
ZS\_TEC\_F\_LED\_asym\_beam.jpg



ZS\_TEC\_M\_C\_LED\_REFL\_ASYM.wmf

## Light Distribution

## STD - standard



D34983AA\_TECTON\_C\_LED8000-865\_L1500\_WW\_LDE\_WH.Idt

- Light Source: LED
- Luminaire luminous flux\*: 7690 lm
- Luminaire efficacy\*: 169 lm/W
- Colour Rendering Index min.: 80
- Correlated colour temperature\*: 6500 Kelvin
- Chromaticity tolerance (initial MacAdam): 2
- Rated median useful life\*:  
L95 100000 h at -20 °C  
L95 100000 h at 35 °C
- Ballast: 1x LED\_Con Tridonic LCA 75W 100-400mA  
one4all Ip PRE (28000657)
- Luminaire input power\*: 45.4 W Power factor = 0.97
- Standby Power\*: 0.15 W
- Dimming: LDE dimmable to 1%  
over DALI, DSI and switchDIM  
DC level is adjustable
- Maintenance category CIE 97: D - Enclosed IP2X

This product contains a light source of energy efficiency class C.

Please also consult the additional information on the next page

TECTON LED continuous-row luminaire



**ZUMTOBEL**

TECTON C LED8000-865 L1500 WW LDE WH

42927239

LED continuous-row luminaire

All values marked with an \* are rated values. Connected electrical load and luminous flux are subject to an initial tolerance of +/- 10%, the most similar colour temperature is subject to an initial tolerance of +/- 150K. Unless stated otherwise, the values apply to an ambient temperature of 25°C.

The level of luminous flux reduces over the life cycle due to technological reasons. The failure of up to 4 LED points causes no functional impairment and is therefore no reason for complaint.

The failure of a complete lens cell causes reason for complaint

We reserve the right to make technical changes without prior notice. 25.03.2024 © Zumtobel - 5-year guarantee in compliance with the terms of guarantee at [www.zumtobel.com/guarantee](http://www.zumtobel.com/guarantee)