

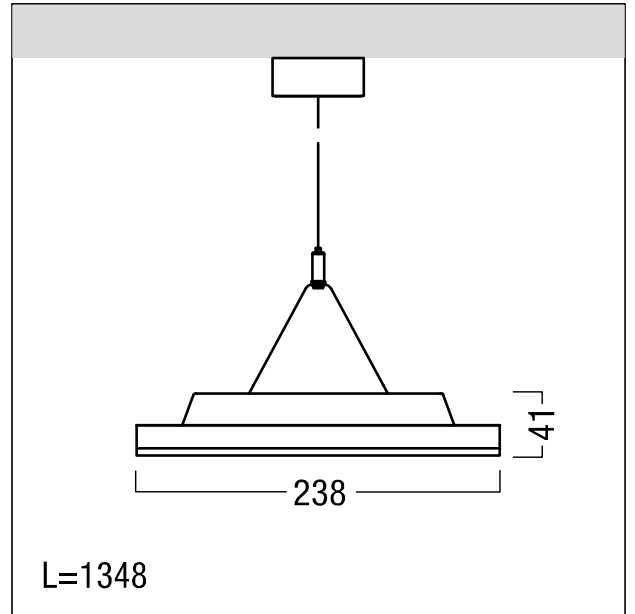
LED pendant luminaire

Flat and modular LED pendant luminaire with lens optic. Luminaire input power: 18.7 W, with LED converter; LED service life lasts 100000 h before luminous flux is reduced to 80% of the initial value. Chromaticity tolerance (initial MacAdam): 2. Luminaire luminous flux: 2810 lm, Luminaire efficacy: 150 lm/W. Colour rendering Ra > 80, colour temperature 4000 K. Symmetric wide distribution luminaire

. Light control via square lens optic for glare-free light distribution with UGR < 16 and L65 < 1000 cd/m² as per EN 12464:2011; low dirt sensitivity and simple cleaning; flat sheet steel luminaire housing with powder coated finish in white; Connector, cord suspension and electrical feed are not included in the scope of supply of the luminaire and must be ordered separately. Luminaire housing with visible luminaire height of 41mm; Luminaire wired with halogen-free leads; Dimensions: 1348 x 238 x 41 mm, weight: 6.8 kg



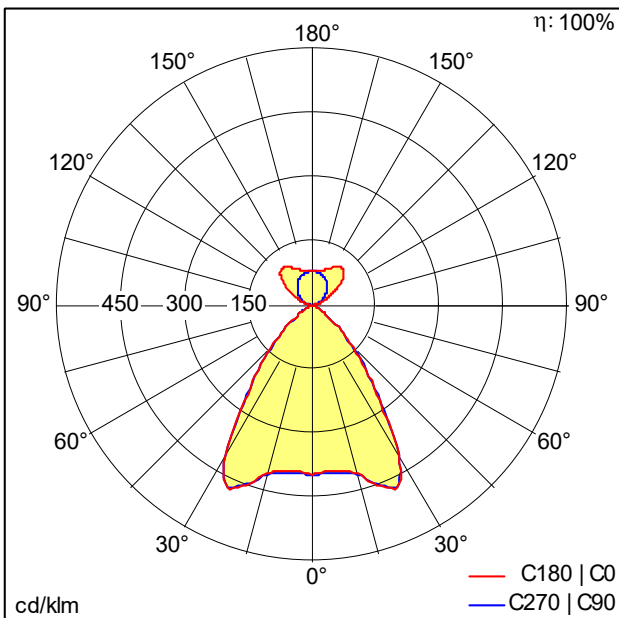
ZS_MIR_F_MIREL_Pendel.jpg



ZS_MIR_M_Pendel.wmf

Light Distribution

STD - standard



D43078_MIRL_DI_3000-840_NB_EVG_WH.Idt

- Light Source: LED
- Luminaire luminous flux*: 2810 lm
- Luminaire efficacy*: 150 lm/W
- Colour Rendering Index min.: 80
- Ballast: 1 x 28000680 LC 50W 100-400mA flexC Ip EXC
- Correlated colour temperature*: 4000 Kelvin
- Chromaticity tolerance (initial MacAdam): 2
- Rated median useful life*:
 - L80 100000 h at 25 °C
 - L95 75000 h at 25 °C
 - L95 50000 h at 25 °C
- Luminaire input power*: 18.7 W Power factor = 0.88
- Maintenance category CIE 97: C - Closed Top Reflector
- Total harmonic distortion (THD): 27.60 %

This product contains a light source of energy efficiency class C.

All values marked with an * are rated values. Connected electrical load and luminous flux are subject to an initial tolerance of +/- 10%, the most similar colour temperature is subject to an initial tolerance of +/- 150K. Unless stated otherwise, the values apply to an ambient temperature of 25°C.

The level of luminous flux reduces over the life cycle due to technological reasons. The failure of up to 1 LED points causes no functional impairment and is therefore no reason for complaint.