



SWITCH-DISCONNECTOR 100A, FRAME SIZE 1, 3-POLE LATERAL DRIVE RIGHT BASIC UNIT WITHOUT HANDLE BOX TERMINAL

Model	
product brand name	SENTRON
product designation	3KD switch disconnecter
design of the product	Switch
display version / for switch position indicator door-coupling rotary operating mechanism	ON-OFF
design of the actuating element	Without handle
type of the driving mechanism	Side operating mechanism
type of the driving mechanism / motor drive	No
General technical data	
number of poles	3
type of device	fixed mounting
size of switch disconnecter	1
mechanical service life (switching cycles) / typical	15 000
electrical endurance (switching cycles)	
• at AC-23 A / at 690 V	6 000
• at DC-23 A / at 440 V	1 500
I <sup>2</sup> t value	
• with closed switch / at 1000 V / for combination switch +gG/aM SITOR fuse / maximum	2 331 A <sup>2</sup> ·s
• of the gG fuse / at 690 V / maximum permissible	75 000 A <sup>2</sup> ·s
• of the gG/aM SITOR fuse / at 1000 V / maximum permissible	6 000 A <sup>2</sup> ·s
• of the molded case circuit breaker / at 415 V / maximum permissible	480 000 A <sup>2</sup> ·s
position / of the switch operating mechanism	at the right end
overvoltage in percent / relative to the operating voltage / at AC / at 400, 500, 690 V / at 50/60 Hz	10 %
overvoltage category	III
degree of pollution	3
Voltage	
operating voltage / with current paths in series	
• with degree of pollution 2 / at DC / rated value	440 V / 3
• with degree of pollution 3 / at DC / rated value	440 V / 3
insulation voltage	
• rated value	1 000 V
surge voltage resistance / rated value	8 kV
Protection class	
protection class IP	IP20
protection class IP	

<ul style="list-style-type: none"> <li>• with closed switch / with cover or cable lug cover</li> <li>• on the front</li> </ul>	IP20 IP20
<b>Dissipation</b>	
power loss [W]	
<ul style="list-style-type: none"> <li>• with conventional rated thermal current / per pole</li> </ul>	2.5 W
<ul style="list-style-type: none"> <li>• with conventional rated thermal current / per device</li> </ul>	7.5 W
<ul style="list-style-type: none"> <li>• for rated value of the current / at AC / in hot operating state / per pole</li> </ul>	2.5 W
<b>Current</b>	
operational current	
<ul style="list-style-type: none"> <li>• at 35 °C / rated value</li> <li>• at 40 °C / rated value</li> <li>• at 45 °C / rated value</li> <li>• at 50 °C / rated value</li> <li>• at 55 °C / rated value</li> <li>• at 60 °C / rated value</li> <li>• at 65 °C / rated value</li> <li>• at 70 °C / rated value</li> <li>• at AC / rated value</li> <li>• at AC-23 A / at 690 V / rated value</li> <li>• at AC-23 A / at 500 V / rated value</li> <li>• at AC-23 A / at 400 V / rated value</li> <li>• at AC-22 A / at 1000 V / maximum</li> <li>• at AC-22 A / at 690 V / rated value</li> <li>• at AC-22 A / at 500 V / rated value</li> <li>• at AC-22 A / at 400 V / rated value</li> <li>• at AC-20 A / at 1000 V / maximum</li> <li>• at AC-21 A / at 500 V / rated value</li> <li>• at AC-21 A / at 690 V / rated value</li> <li>• at DC-20 A / at 1000 V / maximum</li> <li>• at DC-23 A / at 440 V / rated value / note</li> <li>• at DC-23 A / at 220 V / rated value / note</li> <li>• at DC-22 A / at 440 V / rated value / note</li> <li>• at DC-22 A / at 220 V / rated value / note</li> <li>• at DC-21 A / at 440 V / rated value / note</li> <li>• at DC-21 A / at 220 V / rated value</li> </ul>	100 A 100 A 100 A 100 A 100 A 100 A 100 A 100 A 100 A 80 A 80 A 80 A 80 A 100 A 100 A 100 A 100 A 80 A 100 A 100 A 100 A 100 A / 1 80 A / 3 80 A / 2 80 A / 3 80 A / 2 80 A / 3 80 A / 2
continuous current / of upstream fuse / at 500 V and 690 V / rated value	100 A
continuous current / of upstream fuse / at 1000 V / rated value	100 A
continuous current / of upstream molded case circuit breaker / at 415 V / rated value	100 A
operational current / at DC / rated value	100 A
let-through current / of the fuse / at 500 V / maximum permissible	12 500 A
let-through current / of the gG fuse / at 690 V / maximum permissible	14 700 A
let-through current / of the gG/aM SITOR fuse / at 1000 V / maximum permissible	4 700 A
let-through current / of the molded case circuit breaker / at 415 V / maximum permissible	20 000 A
<b>Main circuit</b>	
operating power	
<ul style="list-style-type: none"> <li>• at AC-23 A / at 500 V / rated value</li> </ul>	55 kW
operational current / rated value	100 A
<b>Auxiliary circuit</b>	
number of connected NC contacts / for auxiliary contacts	0
number of connected NO contacts / for auxiliary contacts	0
number of connected CO contacts / for auxiliary contacts	0
number of CO contacts / for auxiliary contacts	3
number of NC contacts / for auxiliary contacts	0

number of NO contacts / for auxiliary contacts	0
<b>Suitability</b>	
suitability for use	
• main switch	Yes
• switch disconnecter	Yes
• EMERGENCY OFF switch	Yes
• safety switch	Yes
• maintenance/repair switch	Yes
<b>Product details</b>	
product component	
• trip indicator	No
• voltage trigger	No
• undervoltage release	No
• undervoltage release with leading contact	No
product extension / auxiliary switch	Yes
product extension / optional	
• motor drive	No
• voltage trigger	No
<b>Short circuit</b>	
short-time withstand current (I <sub>cw</sub> ) / at 1000 V AC/440 V DC / limited to 1 s / rated value	3 kA
short-circuit current making capacity (I <sub>cm</sub> ) / for switch disconnecter	
• at 1000 V AC / without fuse link / rated value / minimum	7 kA
• at DC 440 V / without fuse link / rated value / minimum	7 kA
conditional short-circuit current / with line-side fuse protection	
• at 415 V / by molded case circuit breaker / rated value	36 kA
• at 500 V / by gG fuse / rated value	100 kA
• at 690 V / by gG fuse / rated value	100 kA
<b>Connections</b>	
type of connectable conductor cross-sections / with flexible busbar	2x (0,8x9 mm <sup>2</sup> )
type of connectable conductor cross-sections	
• for copper busbar	1 x (2 x 9 mm <sup>2</sup> )
type of connectable conductor cross-sections / for copper conductor	
• solid	1x (1 ... 16 mm <sup>2</sup> )
• finely stranded / with core end processing	1x (1 ... 35 mm <sup>2</sup> )
• stranded	1x (6 ... 35 mm <sup>2</sup> )
type of electrical connection / for main current circuit	box terminal
<b>Mechanical Design</b>	
height	119 mm
width	103.3 mm
depth	69.5 mm
fastening method	Screw fixing and standard rail mounting 35 mm
fastening method	
• 4-hole front mounting	No
• front mounting with central attachment	No
• rail mounting	Yes
mounting position	any
net weight	896 g
<b>Environmental conditions</b>	
ambient temperature / during operation	
• minimum	-25 °C
• maximum	70 °C
ambient temperature / during storage	
• minimum	-50 °C

• maximum

80 °C

General Product Approval

Declaration of Conformity

[Confirmation](#)



[Miscellaneous](#)



Declaration of Conformity

Marine / Shipping

other



EG-Konf.



LRS

[Miscellaneous](#)

### Further information

Information- and Downloadcenter (Catalogs, Brochures,...)

<http://www.siemens.com/lowvoltage/catalogs>

Industry Mall (Online ordering system)

<https://mall.industry.siemens.com/mall/en/en/Catalog/product?mfb=3KD3034-2ME40-0>

Service&Support (Manuals, Certificates, Characteristics, FAQs,...)

<https://support.industry.siemens.com/cs/ww/en/ps/3KD3034-2ME40-0>

Image database (product images, 2D dimension drawings, 3D models, device circuit diagrams, ...)

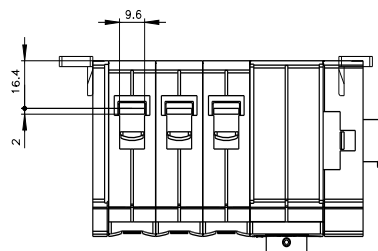
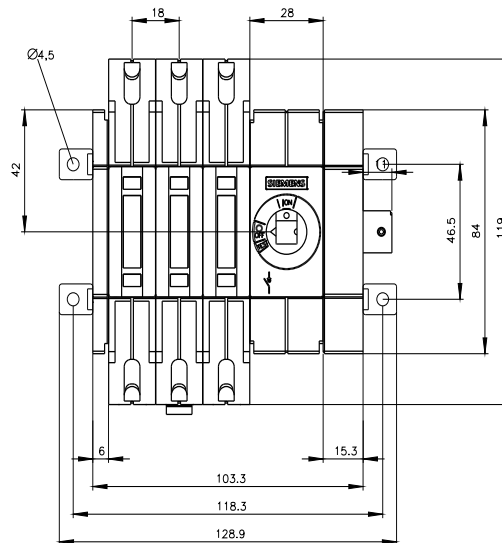
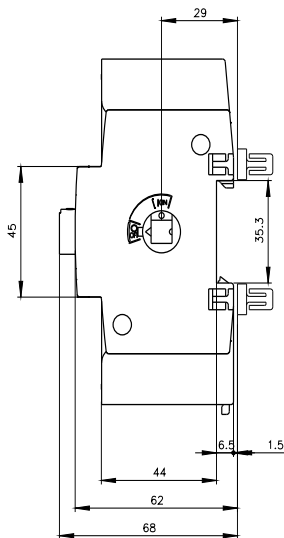
[http://www.automation.siemens.com/bilddb/cax\\_en.aspx?mfb=3KD3034-2ME40-0](http://www.automation.siemens.com/bilddb/cax_en.aspx?mfb=3KD3034-2ME40-0)

CAX-Online-Generator

<http://www.siemens.com/cax>

Tender specifications

<http://www.siemens.com/specifications>



# -CR

