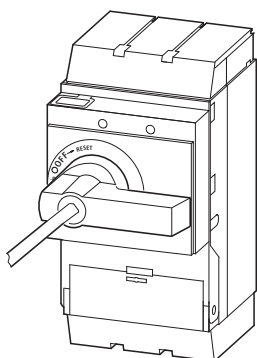


## NZM3-XHB-DA(R)(-OAG)(-NA)



**Door Mounted Rotary Handle kit** for Supply Circuit Disconnecting Means, complete with internal **Supplementary Handle** (shown at left) for compliance with the provisions of **NFPA 79**, Electrical Standard for Industrial Machinery, and **UL 508A**, Safety Standard for Industrial Control Panels.

For use with **NZM3, NS3 (-NA)** E31593, E148671 Molded Case Circuit Breakers and Switches

**UL File No. E140305** (DIHS) UL/CSA Type 4X, 12  
**CSA File No. LR 22086**

**⚠ (en) Electric current! Danger to life!**

Only skilled or instructed persons may carry out the following operations.

**(de) Lebensgefahr durch elektrischen Strom!**

Nur Elektrofachkräfte und elektrotechnisch unterwiesene Personen dürfen die im Folgenden beschriebenen Arbeiten ausführen.

**(fr) Tension électrique dangereuse !**

Seules les personnes qualifiées et averties doivent exécuter les travaux ci-après.

**(es) ¡Corriente eléctrica! ¡Peligro de muerte!**

El trabajo a continuación descrito debe ser realizado por personas cualificadas y advertidas.

**(it) Tensione elettrica: Pericolo di morte!**

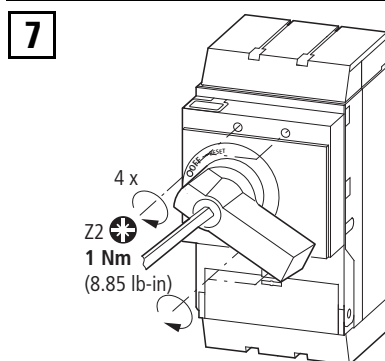
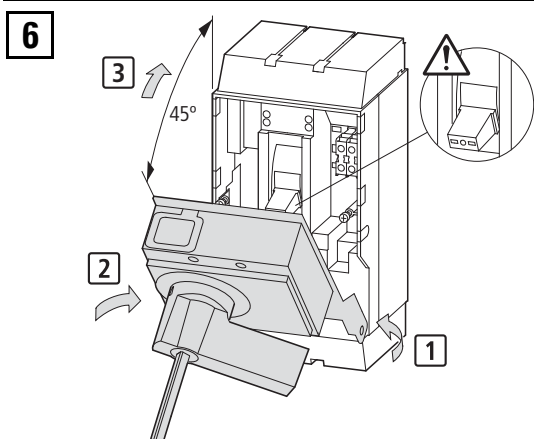
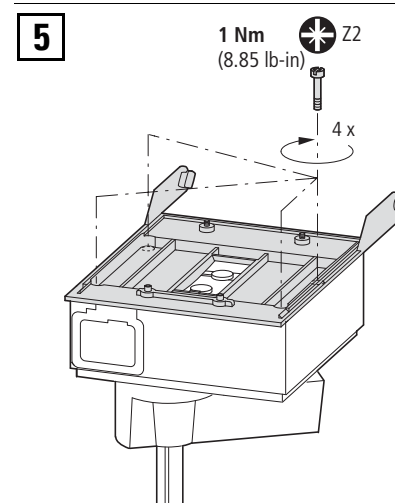
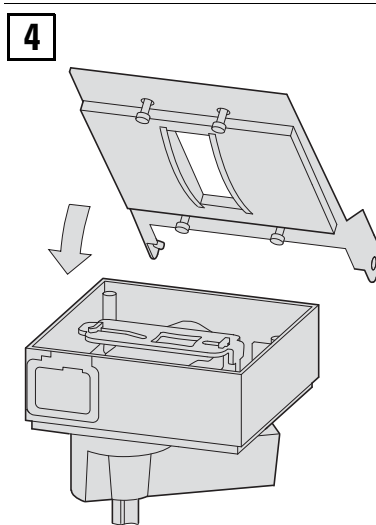
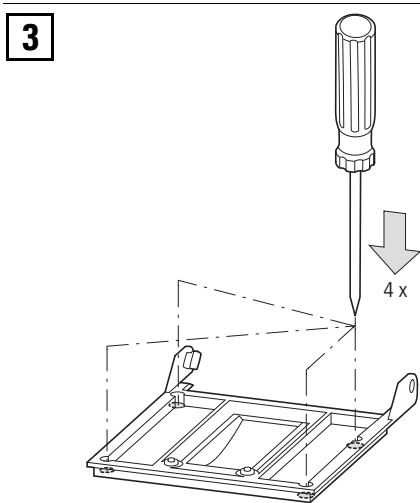
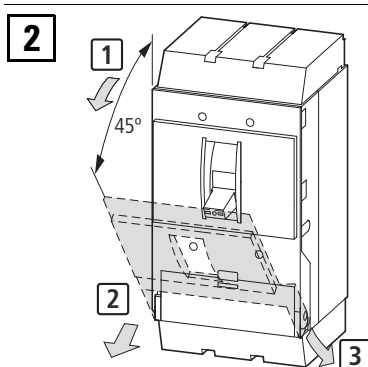
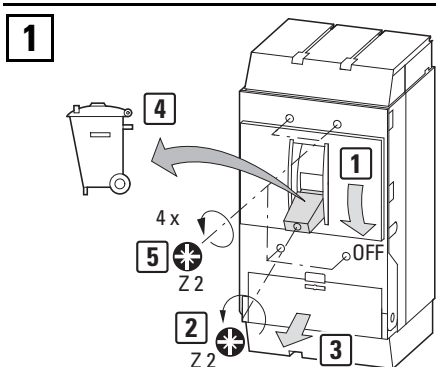
Solo persone abilitate e qualificate possono eseguire le operazioni di seguito riportate.

**(zh) 触电危险!**

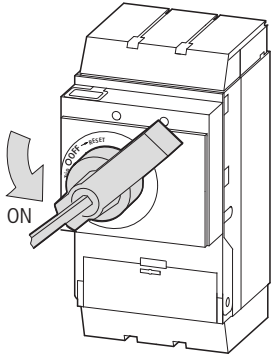
只允许专业人员和受过专业训练的人员进行下列工作。

**(ru) Электрический ток! Опасно для жизни!**

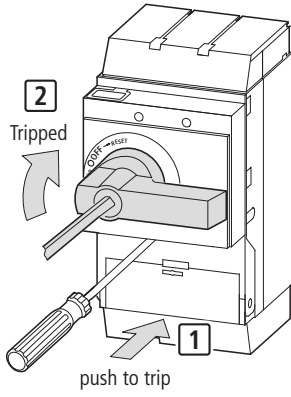
Только специалисты или проинструктированные лица могут выполнять следующие операции.



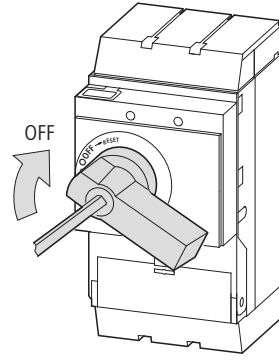
**TEST 1**



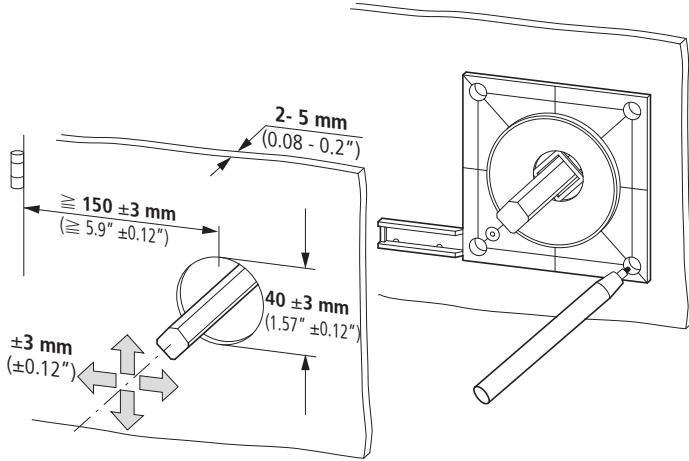
**TEST 2**



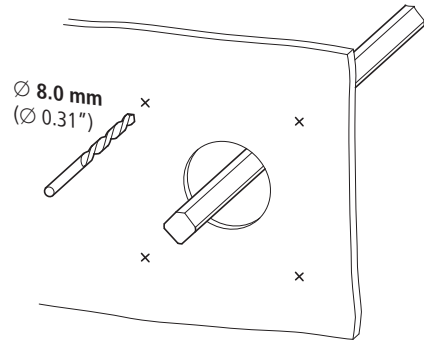
**TEST 3**



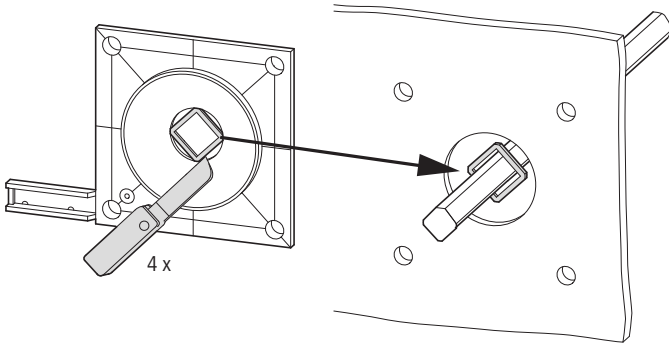
**1**



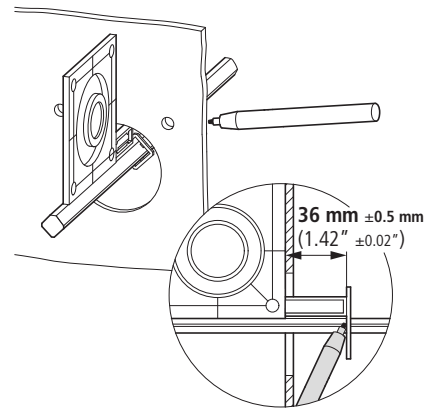
**2**



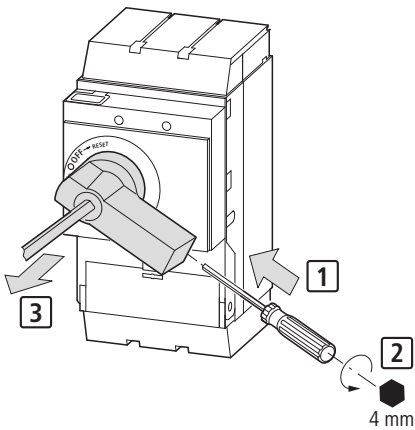
**3**



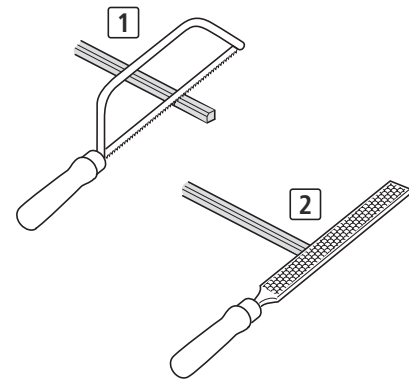
**4**



**5**

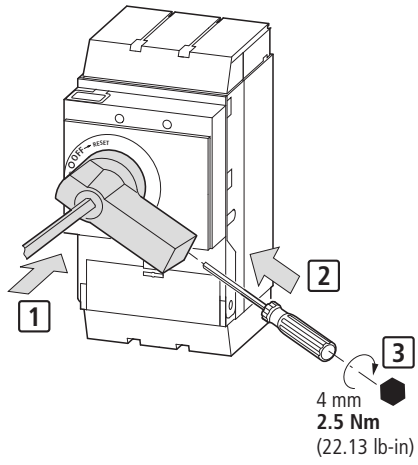


**6**

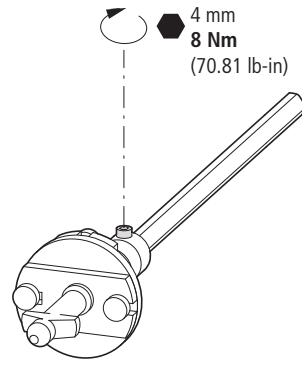


02/15 IL01219015Z

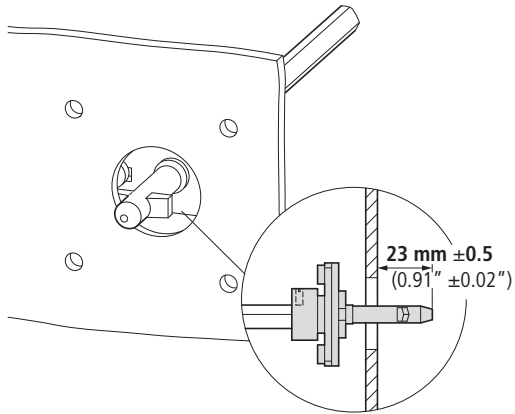
7



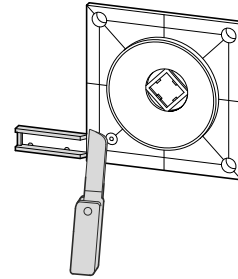
8



9

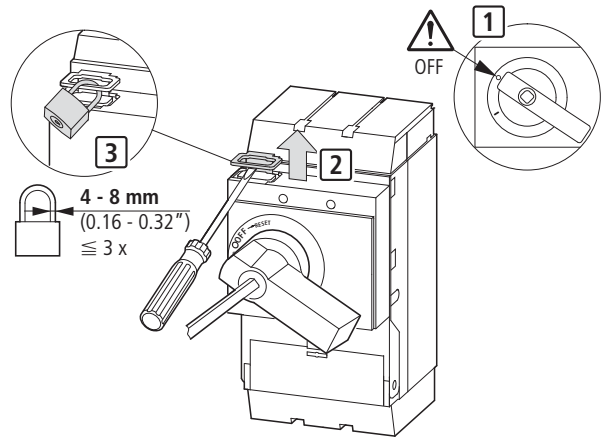
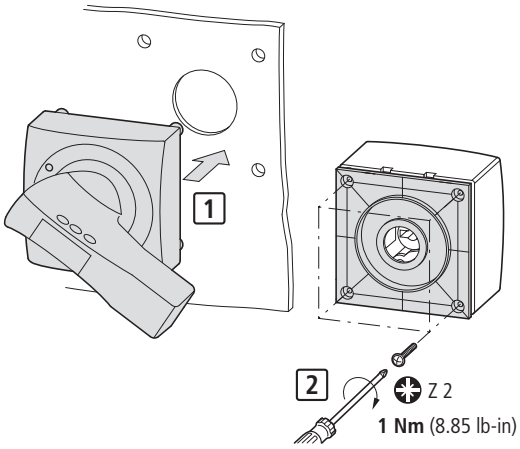


10

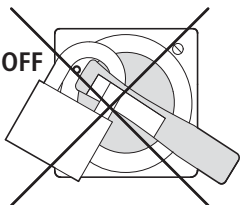


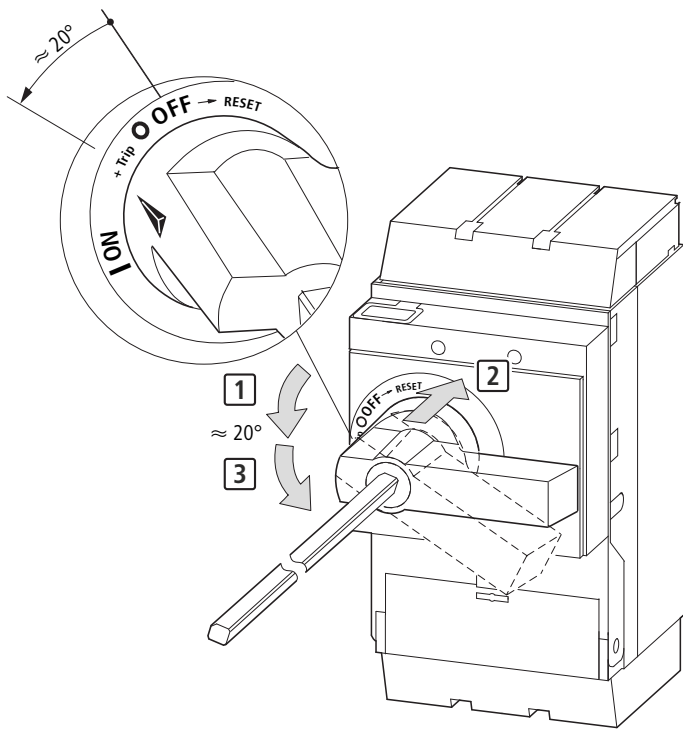
02/15 IL01219015Z

11



**NZM3-XHB-DA-OAG**





Per the intent of **NFPA 79**, Electrical Standard for Industrial Machinery, the Supplementary Handle enables the Supply Circuit Disconnecting Means to remain operable at all times by qualified persons, independent of the door position and without the use of accessory tools or devices. In addition, use of the handle to close the disconnecting means is prevented when the door is open, unless an interlock is operated by deliberate action.

**Deliberate Action to close Disconnecting Means:**

Turn handle counter-clockwise appr. 20° as shown. From this position, push the handle in to engage shaft, then turn counter-clockwise to ON to close switch.

**To open Disconnecting Means:**

Turn handle clockwise from ON to OFF.

(No deliberate action necessary when going from ON to OFF).



**Warning! Danger to Life!**

Operation of the Supplementary Handle may cause circuits inside panel to become energized and create a potentially hazardous condition. Operation to be carried out by **Qualified Persons** only!

02/15 IL01219015Z