

# LED Indicator CX<sup>3</sup>

Cat N°(s) : 4 129 21, 4 129 22, 4 129 23, 4 129 24, 4 129 25, 4 129 26, 4 129 27, 4 129 28, 4 129 29, 4 129 30, 4 129 31, 4 129 32, 4 129 33, 4 129 34, 4 129 35, 4 129 41



### CONTENTS

Page

1. Description, use .....	1
2. Range .....	1
3. Overall dimensions .....	1
4. Preparation - Connection .....	2
5. General Characteristics .....	3
6. Compliances and approvals .....	3

## 1. DESCRIPTION - USE

Indicator lamp to display a clear indication on the status of a circuit, an associated device or for phase monitoring.

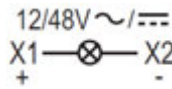
## 2. RANGE

Functions, symbols, cat n°

### Single LED indicator :

12/48 V ~ / ---

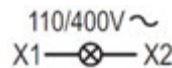
Green		4 129 21
Red		4 129 22
Yellow		4 129 23
Blue		4 129 24
White		4 129 25



### Single LED indicator:

110 - 400 V~

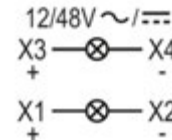
Green		4 129 26
Red		4 129 27
Yellow		4 129 28
Blue		4 129 29
White		4 129 30



### Double LED indicator:

12/48 V ~ / ---

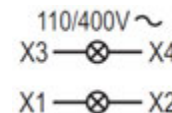
Green + Red		4 129 41
-------------	--	----------



### Double LED indicator:

110 - 400 V~

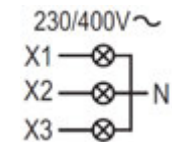
Green + Red		4 129 31
-------------	--	----------



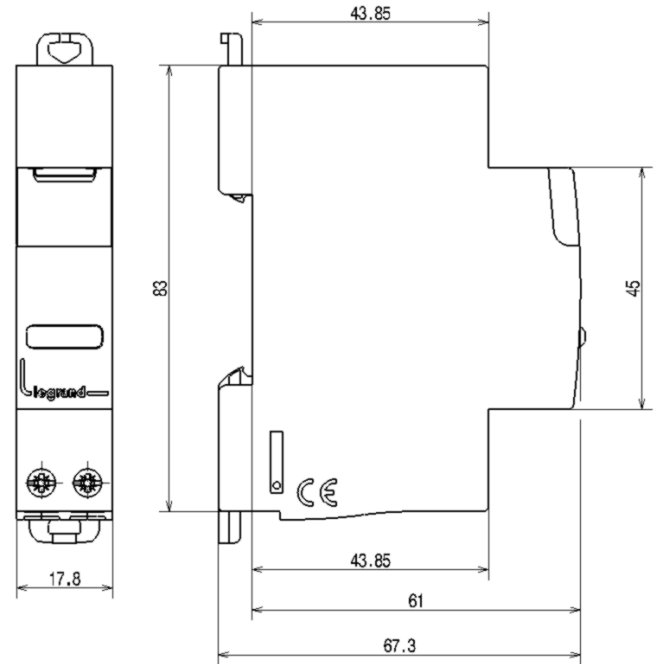
### Triple LED indicator:

230 - 400 V~

White		4 129 32
Red		4 129 33
Red + Yellow + Green		4 129 34
Red + Yellow + Blue		4 129 35



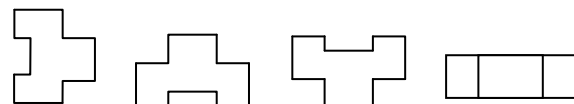
## 3. OVERALL DIMENSIONS



## 4. PREPARATION - CONNECTION

### Operating positions :

.Vertical      Horizontal      Upside down      On the side



### Mounting :

On symmetrical EN 60.715 rail or DIN 35 rail.

### Power supply :

By the lower side.

# LED Indicator CX<sup>3</sup>

Cat N°(s) : 4 129 21, 4 129 22, 4 129 23, 4 129 24, 4 129 25, 4 129 26, 4 129 27, 4 129 28, 4 129 29, 4 129 30, 4 129 31, 4 129 32, 4 129 33, 4 129 34, 4 129 35, 4 129 41

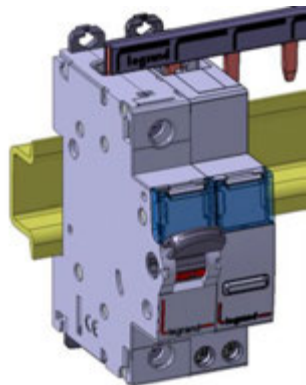
## 4. PREPARATION - CONNECTION

### Recommended Tools :

- . For the terminals screw : Screwdriver isolated or not with 4 mm blade or Pozidriv no. 1 screwdriver.
- . For attaching or removing the DIN rail : screwdriver with 5.5 mm blade or Pozidriv no. 2 screwdriver.

### Position in a row :

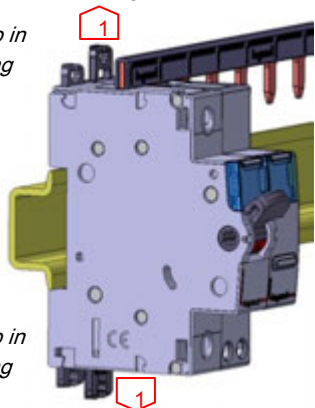
- . The product profile and the position of the terminals at the downstream allow the insertion of the prong-busbar by the upstream.
- In this way the position of the indicator in a row can be freely chosen.



### Module maintenance :

- . An indicator may be replaced in the middle of a row supplied with prong-busbars without disconnecting the other devices.

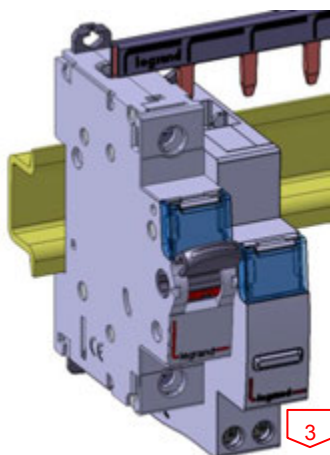
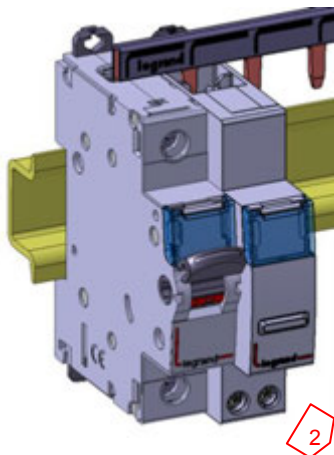
Put the clamp in the unlocking position



Put the clamp in the unlocking position

Pull the device forward in order to release it from the rail

Pull the device downward in order to release it completely from the prongs of the busbar



## 4. PREPARATION - CONNECTION (continued)

### Connection :

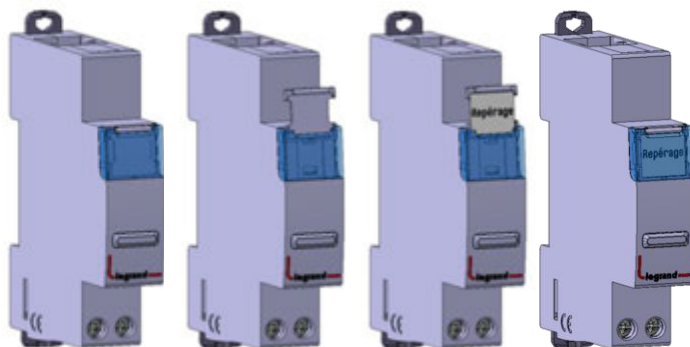
- . Screw terminals:
  - Type of terminal: caged
  - Terminal depth: 10 mm
  - Capacity (h x w): 4.7 x 4.7 mm

### Connectable section (copper cables) :

- Rigid : 1 x (0,75 à 4 mm<sup>2</sup>) ou 2 x (0,75 à 2,5 mm<sup>2</sup>)
- Flexible wire without ferrule: 1 x (0,75 à 4 mm<sup>2</sup>) or 2 x (0,75 à 2.5 mm<sup>2</sup>)
- Flexible wire with ferrule: 1 x (0,75 à 4 mm<sup>2</sup>)
- Flexible wire with double ferrule: 2 x (0,75 à 2.5 mm<sup>2</sup>)
- Screw head : mixed M3.5 , slotted 4mm and pozidriv n°1
- Tightening torques : mini 0.8Nm; maxi 1.8Nm ; recommended 1.4Nm

### Labelling :

- .Circuit identification by way of a label inserted in the label holder situated on the front of the product.



## 5. GENERAL CHARACTERISTICS

### Marking :

- . By permanent ink pad printing



### Operating voltage :

- .Ue indicator light (in accordance with the cat n°) 12/48 V ~ / --- ; 110/400 V~

### Rated frequency :

- . 50/60 Hz with standard tolerances.

### Degree of pollution:

- . 2 in accordance with standard EN/IEC 60898-1

# LED Indicator CX<sup>3</sup>

Cat N°(s) : 4 129 21, 4 129 22, 4 129 23, 4 129 24, 4 129 25, 4 129 26, 4 129 27, 4 129 28, 4 129 29, 4 129 30, 4 129 31, 4 129 32, 4 129 33, 4 129 34, 4 129 35, 4 129 41

## 5. GENERAL CHARACTERISTICS (continued)

### Indicator light :

Technology : non replaceable LED lamps

Power dissipated per Led :

Led: 12/48 V			Led: 110/400 V		
U (v)	P(w)		U(v)	P(w)	
	AC	DC		AC	DC
12	0.006	0.008	110	0.04	0.06
24	0.03	0.04	230	0.17	0.24
48	0.12	0.17	400	0.52	0.72

Life time 100 000 hours without maintenance.

Color of the translucent plastic window: red, green, yellow, blue, white (in accordance with the cat. N°)

The ergonomic design of the translucent plastic window allows an homogeneous projection of the light.

### Protection class:

- . Terminal protection when the product was connected : IP2X according to IEC 529 – EN 60529 et NF C 20-010. IP40 according to IEC 529 – EN 60529 et NF C 20-010.
- . Protection against shocks: IK04 according to EN 62262.
- . Class II, front panel with faceplate.

### Plastic materials :

- . Polyamide, PC

### Enclosure heat and fire resistance:

- . Resistance to glow wire tests at 960°C / 30 s, according to standard CEI 60695-2-10 & 60695-2-11.

### Vibrations and tremors resistance :

- . Compliant with appendix Q category F of standard IEC/EN 60947-1

### Ambient temperatures :

- . Operating : from - 25 °C to + 70 °C.
- . Storage : from - 40 °C to + 70 °C.

### Volume when packed :

	packaging	Volume (dm <sup>3</sup> )
1 module	by 10	1.6

### Average unit weight:

Cat N°	Weight (grams)
4 129 21 –22 –23 –24 –25 –26 –27 –28 –29 –30	46.5 g
4 129 31 - 41	55.1 g
4 129 32 - 33 – 34 - 35	56.5 g

## 6. CONFORMITY AND APPROVALS

### In accordance with standard:

- . EN/IEC 60947-5.1

### Use in particular conditions :

- . Compliant to category F according to classification defined in appendix Q of standard IEC/EN 60947-1.

## 6. CONFORMITY AND APPROVALS (continued)

### Environment respect – Compliance with CEE directives:

- . Compliance with Directive 2002/95/EC of 27/01/03 known as "RoHS" which provides for a restriction on the use of dangerous substances such as lead, mercury, cadmium, hexavalent chromium and polybrominated biphenyl (PBB) and polybrominated diphenyl ether (PBDE) brominated flame retardants from 1st July 2006
- . Compliance with the Directive 91/338/EEC of 18/06/91 and decree 94-647 of 27/07/04.
- . Compliant with regulation REACH

### Plastic materials :

- . Halogens-free plastic materials.
- . Marking of parts according to ISO 11469 and ISO 1043.

### Packaging:

- . Design and manufacture of packaging in accordance with Decree 98-638 of 07.20.98 and Directive 94/62/EC

### Environmental profile :

- . PEP document available

### Approvals obtained :

- . See list of approvals available.

### Installation software :

- . XL PRO<sup>3</sup>.