

INSTRUCTION

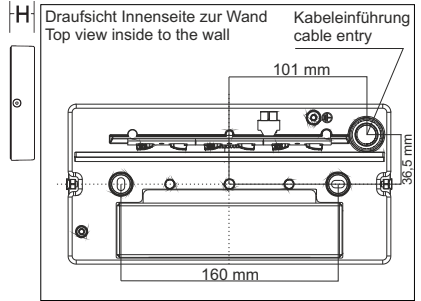
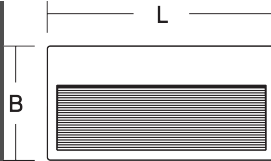
07/2016



Brick Evo

581634.0031.1

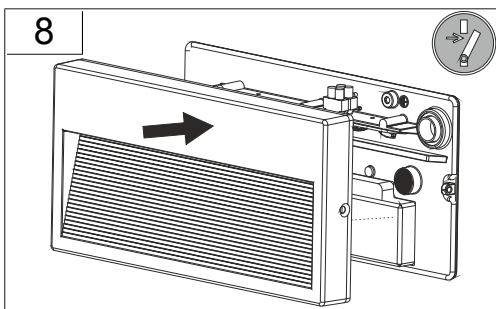
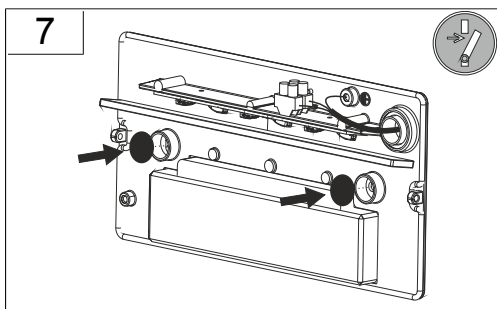
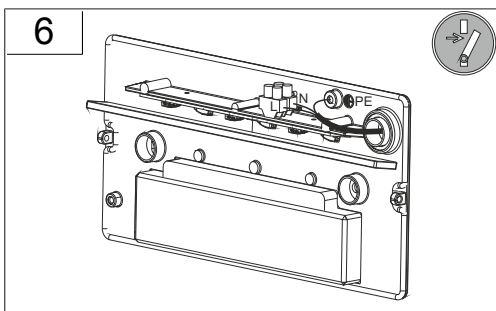
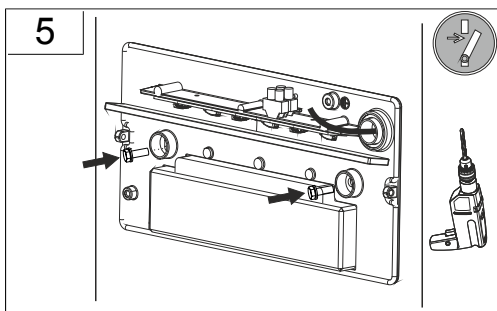
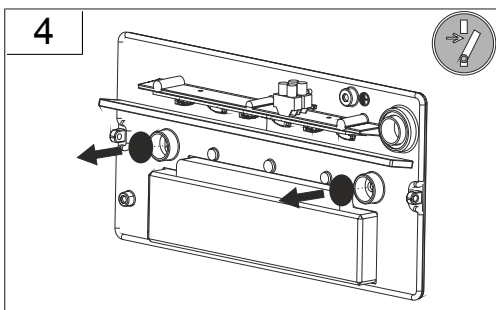
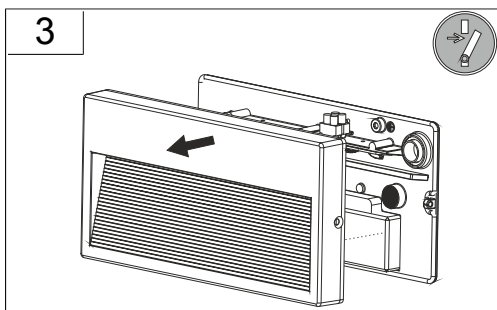
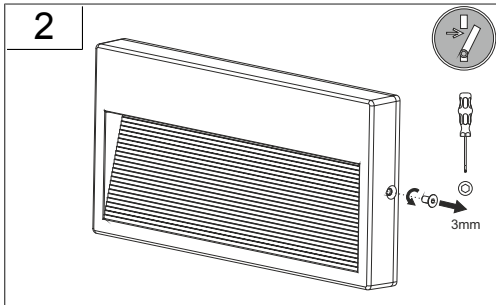
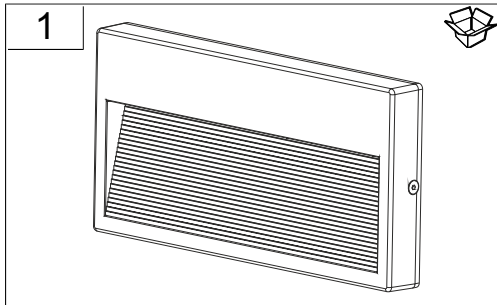
IP 65 IK09
 200 - 240 V / 50 Hz
 LED
 3 x 1,5 mm²
 1,50 mm²



581634.0031.1	L 240, B 120, H 24	LED	10 W	10 W	710 g
Φ	EEK _{LED}	EEK	CRI	CCT	
180 mm	A+	A+	80	4000K	
20	30	25,6 A			

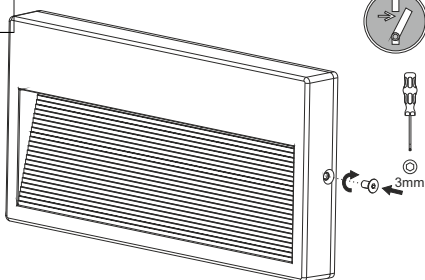


RZB
Rudolf Zimmermann,
Bamberg GmbH
 Rheinstraße 16
 D-96052 Bamberg
 Deutschland
 Telefon +49 951/79 09-0
 Telefax +49 951/79 09-198
 www.rzb.de
 info@rzb-leuchten.de

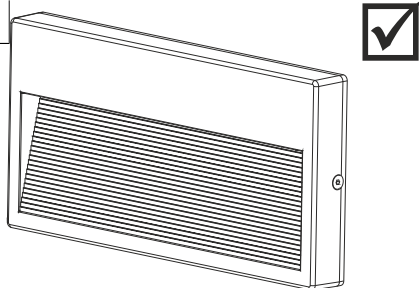




9



10



Instruction:



07/2016

