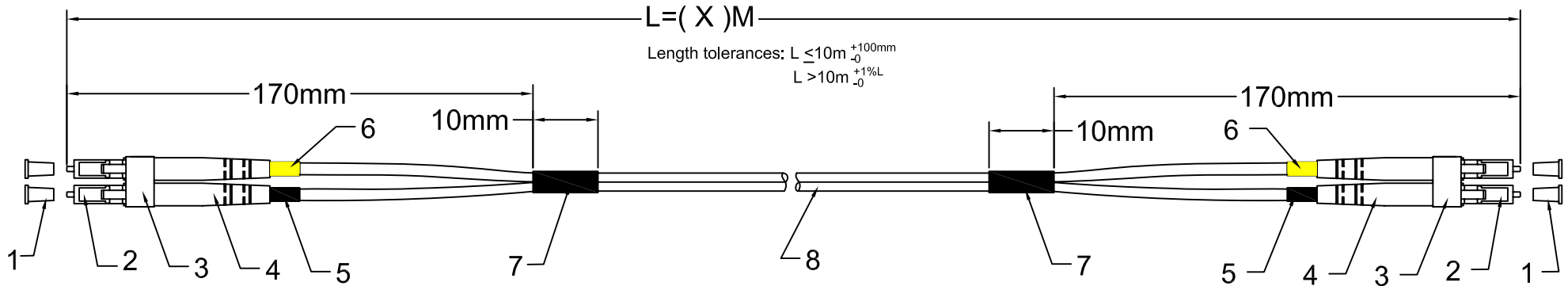


**LC - LC Duplex Jumper, I-V(ZN)H 02G 62.5/125μ  
OM1, LSZH Orange Jacket, x meter**



**Specifications:**

1. Insertion Loss: < 0.3dB @850nm
2. End surface test is according to OP-03-05001
3. Test standard: GR-326-CORE
4. Test report has to match the serial No.
5. RoHS compliant
6. Fiber cable according to IEC 60793-2
7. LC connector according to IEC 61754-20

**RoHS  
compliant**

8	Ø2.0mm MM duplex OM1 62.5/125μ LSZH Orange cable	
7	Heat shrink tube, black	2
6	LC shrink tube, yellow	2
5	LC shrink tube, white	2
4	LC 3.0 boot, white	4
3	LC clip, clear	2
2	LC MM 2.0 connector, Beige	4
1	LC dust cover	4
<b>Item</b>	<b>Description</b>	<b>Qty</b>



**E F B**

LC - LC Duplex Jumper, I-V(ZN)H 02G 62.5/125 OM1, LSZH Orange Jacket, x meter

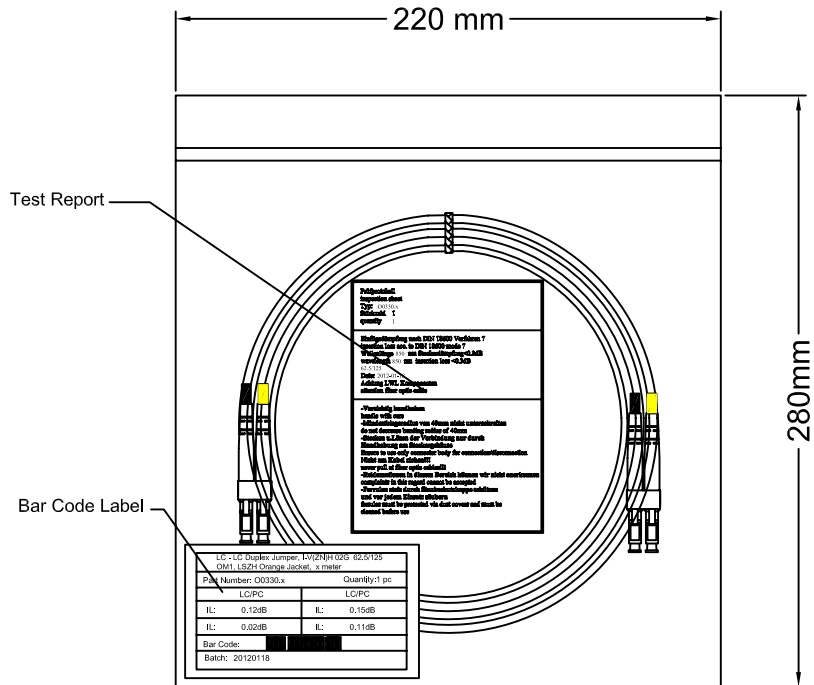
Part No: O0330.X

Drawing No:

Page :1 of 3

# Packing:

The corresponding label data for each cable assembly shall be affixed to the package



9# PE Bag(220mm x 280mm)

<b>Prüfprotokoll</b> inspection sheet Typ: O0330.x Stückzahl 1 quantity 1
Einfügedämpfung nach DIN 18600 Verfahren 7 insertion loss acc. to DIN 18600 mode 7 Wellenlänge 850 nm Steckerdämpfung<0.3dB wavelength 850 nm insertion loss <0.3dB 62.5/125 Date: 2012-01-18 Achtung LWL Komponenten attention fiber optic cable
-Vorsichtig handhaben handle with care -Mindestbiegeradius von 40mm nicht unterschreiten do not decrease bending radius of 40mm -Stecken u.Lösen der Verbindung nur durch Handhabung am Steckergehäuse Ensure to use only connector body for connection/disconnection Nicht am Kabel ziehen!!! never pull at fiber optic cables!!! -Reklamationen in diesem Bereich können wir nicht anerkennen complaints in this regard cannot be accepted -Ferrulen stets durch Staubschutzkappe schützen und vor jedem Einsatz säubern ferrules must be protected via dust covers and must be cleaned before use

Test Report

LC - LC Duplex Jumper, I-V(ZN)H 02G 62.5/125 OM1, LSZH Orange Jacket, x meter	
Part Number: O0330.x	Quantity:1 pc
LC/PC	LC/PC
IL: 0.12dB	IL: 0.15dB
IL: 0.02dB	IL: 0.11dB
Bar Code:	
Batch: 20120118	

Bar Code Label(100mmx60mm)

**RoHS compliant**

		<h1>E F B</h1>	
LC - LC Duplex Jumper, I-V(ZN)H 02G 62.5/125 OM1, LSZH Orange Jacket, x meter			
Part No: O0330.X			
Drawing No:		Page :2 of 3	

## Indoor Cable Series ( Duplex)

### 1. Characteristics

- . Aramid yarn strength member ensures tension resistance and long term stability in transmission
- . Figure 8 structure jacket facilitates branching
- . Small outer diameter, lightweight
- . Flame-retardant jacket, halogen-free
- . Low attenuation

### 2. Applications

- . Installation in conduits and shafts
- . Indoor distribution
- . Jumper and adapter cable
- . Connecting workstations inside buildings (FTTD)

### 3. Temperature Range

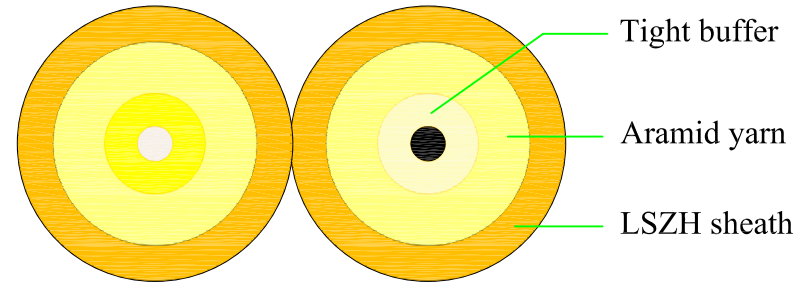
-20°C up to +70°C

### 4. Fiber Optic Cable Performance

- . Number of fibers: 2
- . Outer diameter: 2.0x4.1 mm
- . Nominal weight: 8.2 kg / km
- . Max. tension: 200 N (short-term)  
100 N (long-term)
- . Min. Bending Radius: 20 H (Dynamic)  
10 H (Static)
- . Max. Crush Resistance (N/100 mm<sup>2</sup>): 1000
- . Complies with TIA/EIA-568 B.3 & Bellcore GR-409-CORE & OFNR-UL/CSA FT-4
- . Maximum Attenuation: ≤ 3.0dB @850nm  
≤ 0.8dB @1300nm
- . Min. Bandwidth: ≥ 200MHz-km@850nm  
≥ 600MHz-km@1300nm

### 5. Cable Specification

- . Fiber type: Multimode 62.5/125µm OM1
- . Orange jacket, LSZH



**RoHS  
compliant**



**EFB**

LC - LC Duplex Jumper, I-V(ZN)H 02G 62.5/125 OM1, LSZH Orange Jacket, x meter

Part No: O0330.X

Drawing No:

Page :3 of 3