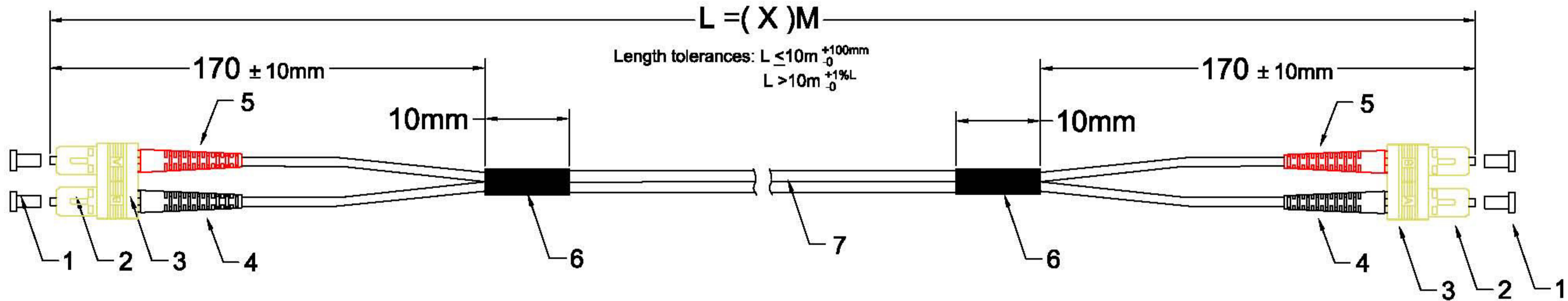


**SC - SC Duplex Jumper, I-V(ZN)H 02G 50/125 μ
OM4, LSZH Violet Jacket, x meter**



Specifications:

1. Insertion Loss: < 0.3dB @850nm
Return Loss: > 20dB @850nm
2. End surface test is according to OP-03-05001
3. Test standard: GR-326-CORE
4. Test report has to match the serial No.
5. RoHS compliant
6. Fiber cable according to IEC 60793-2
7. SC connector according to IEC 61754-4

**RoHS
compliant**

7	Ø3.0mm MM duplex OM4 50/125 μ LSZH Violet cable	
6	Heat shrink tube, black	2
5	SC 3.0 boot,red	2
4	SC 3.0 boot, black	2
3	SC clip, beige	2
2	SC MM 3.0 connector, Beige	4
1	Dust cover	4
Item	Description	Qty



EFB

SC - SC Duplex Jumper, I-V(ZN)H 02G 50/125 OM4, LSZH Violet Jacket,
x meter

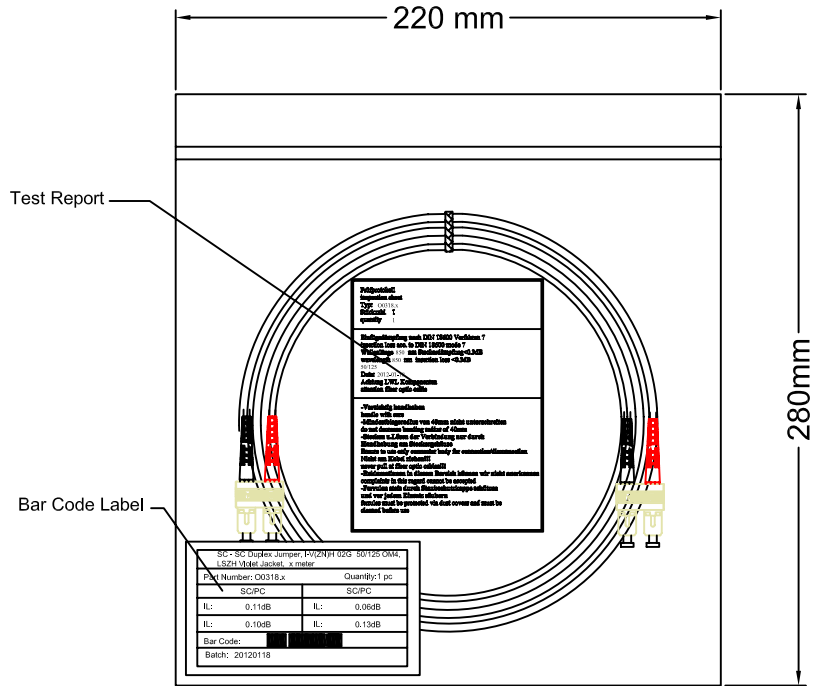
Part No: O0318.X

Drawing No:

Page :1 of 3

Packing:


The corresponding label data for each cable assembly shall be affixed to the package



9# PE Bag(220mm x 280mm)



Prüfprotokoll inspection sheet Typ: O0318.x Stückzahl 1 quantity 1
Einfügedämpfung nach DIN 18600 Verfahren 7 insertion loss acc. to DIN 18600 mode 7 Wellenlänge 850 nm Steckerdämpfung<0.3dB wavelength 850 nm insertion loss <0.3dB 50/125 Date: 2012-01-18 Achtung LWL Komponenten attention fiber optic cable
-Vorsichtig handhaben handle with care -Mindestbiegeradius von 40mm nicht unterschreiten do not decrease bending radius of 40mm -Stecken u.Lösen der Verbindung nur durch Handhabung am Steckergehäuse Ensure to use only connector body for connection/disconnection Nicht am Kabel ziehen!!! never pull at fiber optic cables!!! -Reklamationen in diesem Bereich können wir nicht anerkennen complaints in this regard cannot be accepted -Ferrulen stets durch Staubschutzkappe schützen and vor jedem Einsatz säubern ferules must be protected via dust covers and must be cleaned before use

Test Report

SC - SC Duplex Jumper, I-V(ZN)H 02G 50/125 OM4, LSZH Violet Jacket, x meter	
Part Number: O0318.x	Quantity:1 pc
SC/PC	SC/PC
IL: 0.11dB	IL: 0.06dB
IL: 0.10dB	IL: 0.13dB
Bar Code:	
Batch: 20120118	

Bar Code Label(100mmx60mm)

RoHS compliant

			
SC - SC Duplex Jumper, I-V(ZN)H 02G 50/125 OM4, LSZH Violet Jacket, x meter			
Part No: O0318.X			
Drawing No:		Page :2 of 3	

Indoor Cable Series (Duplex)

1. Characteristics

- . Aramid yarn strength member ensures tension resistance and long term stability in transmission
- . Figure 8 structure jacket facilitate embranchment
- . Small outer diameter, lightweight
- . Flame-retardant jacket, halogenfree
- . Low attenuation

2. Applications

- . Installation in conduits and shafts
- . Indoor distribution
- . Jumper and adapter cable
- . Connecting workstations inside buildings(FTTD)

3. Temperature Range

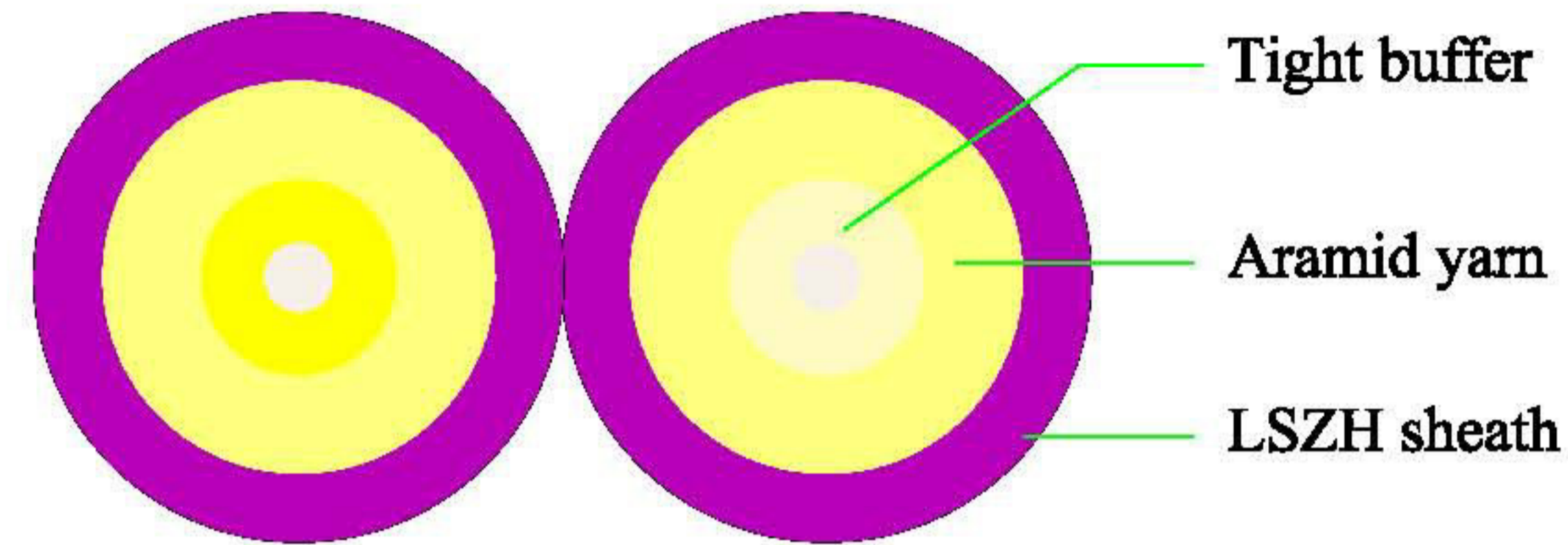
-20°C up to +70°C

4. Fiber Optic Cable Performance

- . Number of fibers: 2
- . Outer diameter: 2.8x5.7 mm
- . Nominal weight: 13.2 kg / km
- . Max. tension: 300 N (short - term)
160 N (long - term)
- . Min. Bending Radius: 20 H (Dynamic)
10 H (Static)
- . Max . Crush Resistance (N/100 mm²):1000
- . Complies with TIA/EIA-568 B.3 & Bellcore GR-409-CORE & OFNR-UL/CSA FT-4
- . Maximum Attenuation: ≤ 2.3dB @850nm
≤ 0.6dB @1300nm
- . OFL Bandwidth: ≥ 3500MHz-km@850nm
≥ 500MHz-km@1300nm
- . EMB Bandwidth: ≥ 4700MHz-km@850nm
- . 10 Gigabit Ethernet SX: 550m@850nm

5. Cable Specification

- . Fiber type: Multimode 50/125µ m OM4
- . Violet jacket , LSZH



**RoHS
compliant**



EFB

SC - SC Duplex Jumper, I-V(ZN)H 02G 50/125 OM4, LSZH Violet Jacket,
x meter

Part No: O0318.X

Drawing No:

Page :3 of 3