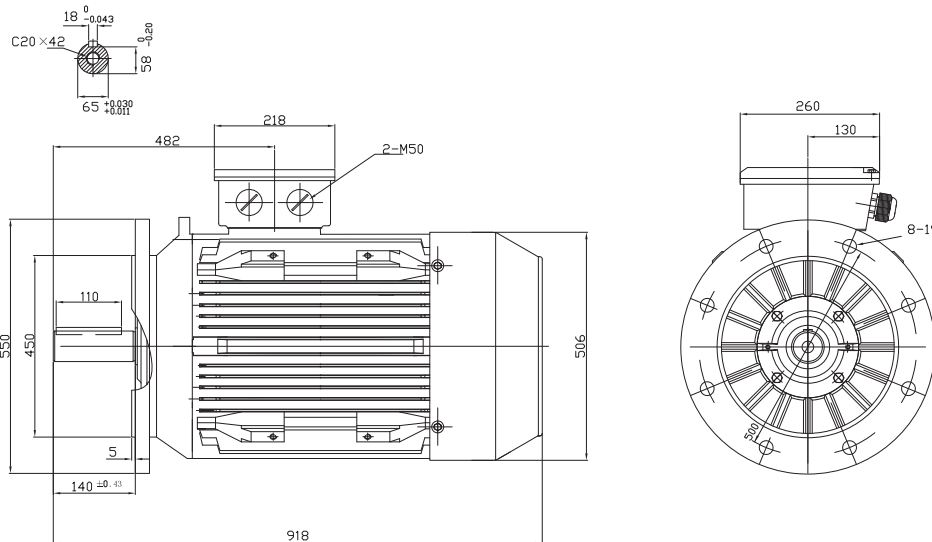


Type T3C 250M-6

Cod. R2500637,0B5B5G0000T

Mounting position

IM	B5
IM	3001

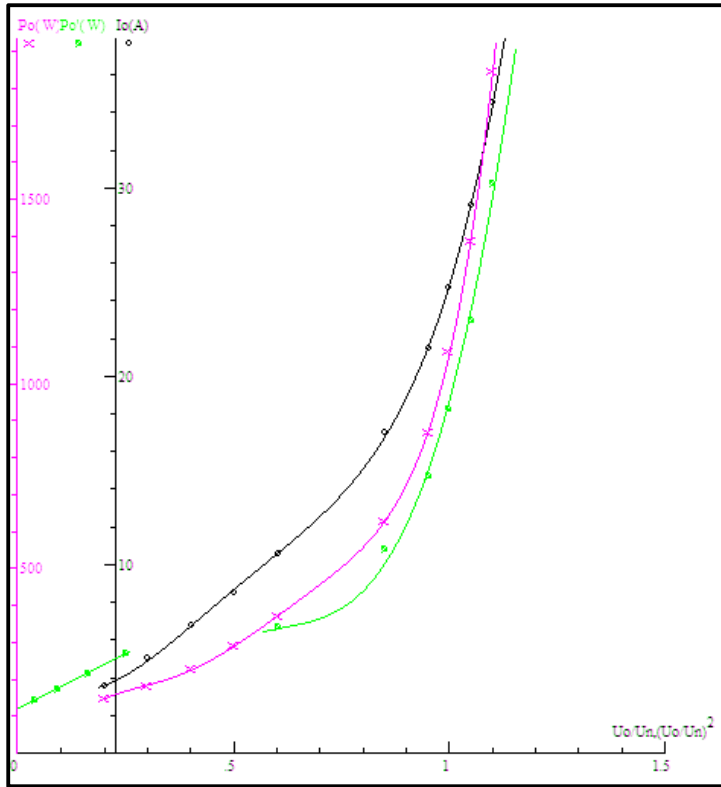


Electrical data				General data			
Rated motor power	37		Kw	Frame size	250		
Rated motor speed	975		min ⁻¹ 50Hz	Mounting	B5		
	1170		min ⁻¹ 60Hz	Weight	505.98	Kg	
Rated motor frequency	50		Hz	Casing material	Cast iron		
Rated motor voltage(+/-10%)	400		VΔ/50Hz	Protection	IP	55	
	690		VY/50Hz	Insulation class/Temperature rise	F	/	B
	480		VΔ/60Hz	Tropicalization	Yes		
	830		VY/60Hz	Vibration class	N		
Rated motor torque	362.38		Nm (Mn)	Duty	S1		
Rated motor current	68.97	VΔ/50Hz	A (In)	Direction of rotation	Bidirectional		
	39.87	VY/50Hz	A (In)	Method of cooling	IC	411	
Starting motor current	7.5		xIn	Cable entry	2-M50x1,5+1M16x1,5		
Starting motor torque	2.3		xMn	Standards	IEC/DIN/ISO/VDE/EN		
Breakdown motor torque	2.7		xMn	Execute at Standard	IEC 60034-1		
Starting			D.O.L.	Feet removable	Yes		
Efficiency class	IE3			Paintwork	RAL	7024	dark grey
Efficiency	50Hz	60Hz		Thermal protections	PTC 150°C		Standard
	93.3	94.5	100% load				
	94	95.2	75% load				
	91.8	93.7	50% load				
Power factor cosφ	0.83	0.83	100% load				

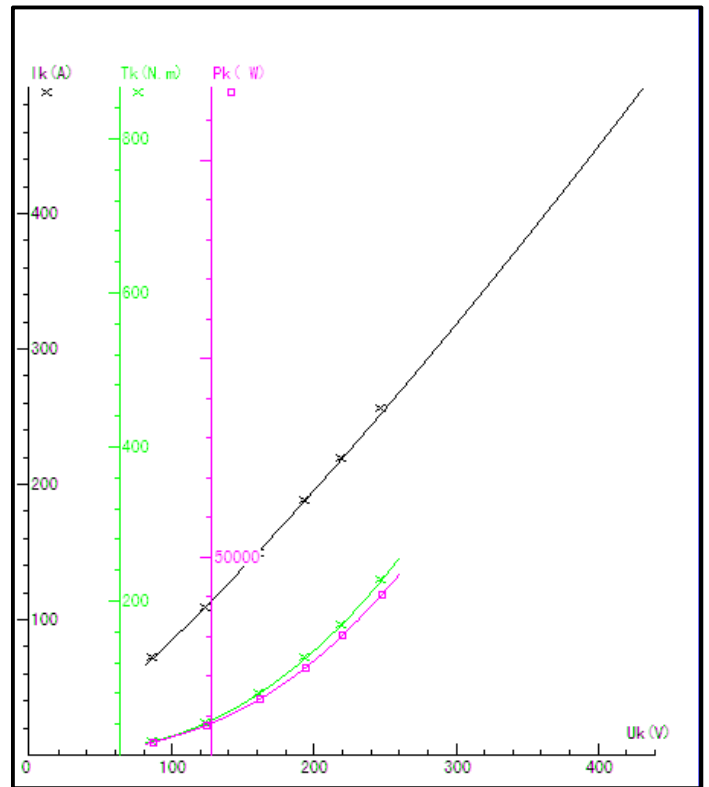
Mechanical data				Site conditions			
Noise level	LpA	66	dB(A)	Bearing DE side	-		
	LwA	76	dB(A)	Bearing NDE side	-		
Moment of inertia	0.99243		Kgm ²	Average bearing lifetime	40000	h	
Bearings type			NSK	Relubrication interval L1 DE bearing	15000	h	
Lubricants for bearings	See installation and maintenance manual page 12			Relubrication interval L1 NDE bearing	15000	h	
				Compensation ring	NDE SIDE	standard	

Type	T3CR 250M-6			Output	37 kW	Voltage	400/690 V	Current	A	Frequency	50 Hz	Kind of test
Duty	S1			Connection method	Δ / Y	Poles	6 P	Speed	r/min	Basic temp.	95 °C	
Insulation resistance	(M Ω)	Phase vs.Phase	Phase vs.Ground	DC Resistance determination(Ω)		over loading test		160% of Rated torque.for 15S		Pass		
	Cold state			Line R	Value	150% of Rated current.for 120S		Pass				
	Hot state	300		R _{UV}	0,1374	Inter-turns insulation test						
High-voltage	1760 V for		60 S	R _{UV}	0,1373	130% of Rated voltage.for 180		Pass				
	Phase vs.Phase		Pass	R _{VW}	0,1376	Over speed test						
	Phase vs.Ground		Pass	Ambient.	27,8 °C	120% of Rated max.frequency.for 120S		Pass				
Item		Result	Standard value	Tolerance (%)	Reference temp R (Ω)	0,25886	Hot state temp. (°C)	68,2				
Efficiency	100% P _n	(%)	93,33		Three-phase R deviation (%)	0,12	Middle part of enclosure temp.(°C)	103,3				
	75% P _n	(%)	93,516		No-load current (A)	24,81	Temp. of frame (°C)	66				
	50% P _n	(%)	92,75		No-load current deviation (%)	2,5	Temp. of Airin-N (°C)	103,3				
Power factor		0,85			No-load input power (W)	1078,6	Temp. of Airout-D (°C)	68,2				
Temperature rise of stator winding	0 S	(K)	43,2		Full-load input current (A)	67,31	Environment humidity (%)					
	30/90 S	(K)	43,2		Full-load input power (W)	39644	Degree of protection (IP)	IP55				
Slip (%)		1,1824			Core loss (W)	800,87	Insulation class	F				
Locked current (A)		449,3			Friction and wind age loss(W)	120,47						
Locked rotor current /Rated current		6,68			StatorI2Rloss (W)	1075,8	Cold checking test					
Locked torque (Nm)		718			RotorI2Rloss (W)	446,56	50 Hz 400/690 V No-load test data					
Locked rotor torque/Rated torque		1,99			Stary-load loss (W)	199,83	No-load current (A)					
Maximum torque (Nm)		968,1			wastage summation (W)	2643,5	No-load power (W)		1078,6			
Breakdown torque/Rated torque		2,69			Output (W)	37000	50 Hz V Locked test data					
Pull-up torque (Nm)					Rated torque (N.m)	360,03	Locked current (A)					
Pull-up torque/Rated torque					Full-load speed (r/min)	988,18	Locked power: (W)					
Noise Lp (A) dB		74,3										
Vibrancy (mm)												
Bearing temperature rise (K)		80										
Vibration Test												
Displacement (μ m)												
velocity (mm/s)												
Acceleration (m/s ²)					Mechanical check		Complete assembly, Flexible rotating, Correct Direction.					

NO LOAD



LOCKED ROTOR



LOAD

