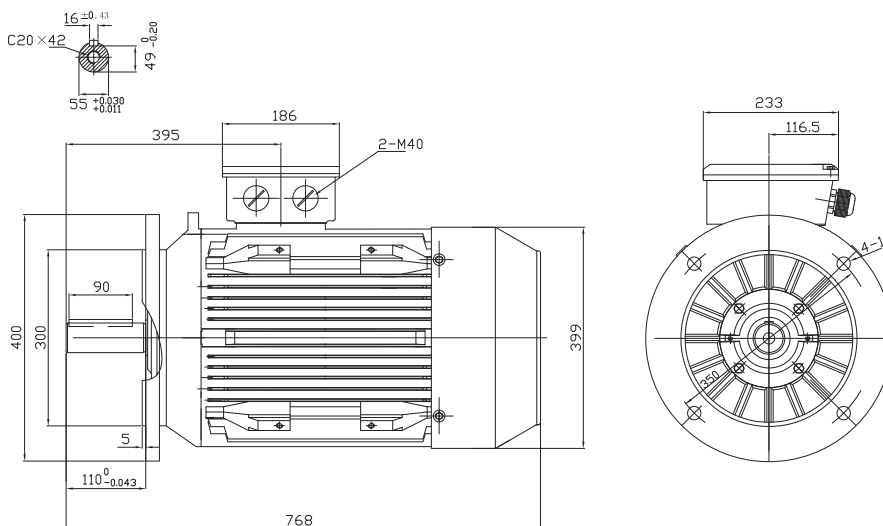


Type T3C 200L2-2

Cod. R2000237,0B5B5G0000T

Mounting position

IM	B5
IM	3001



Electrical data			
Rated motor power	37		Kw
Rated motor speed	2930		min ⁻¹ 50Hz
	3520		min ⁻¹ 60Hz
Rated motor frequency	50		Hz
Rated motor voltage(+/-10%)	400		VΔ/50Hz
	690		VY/50Hz
	480		VΔ/60Hz
	830		VY/60Hz
Rated motor torque	120.59		Nm (Mn)
Rated motor current	63.33	VΔ/50Hz	A (In)
	36.61	VY/50Hz	A (In)
Starting motor current	6.3		xIn
Starting motor torque	2.3		xMn
Breakdown motor torque	2.7		xMn
Starting			D.O.L.
Efficiency class	IE3		
Efficiency	50Hz	60Hz	
	93.7	93.1	100% load
	94.4	93.8	75% load
	94.2	92.4	50% load
Power factor cosφ	0.9	0.9	100% load

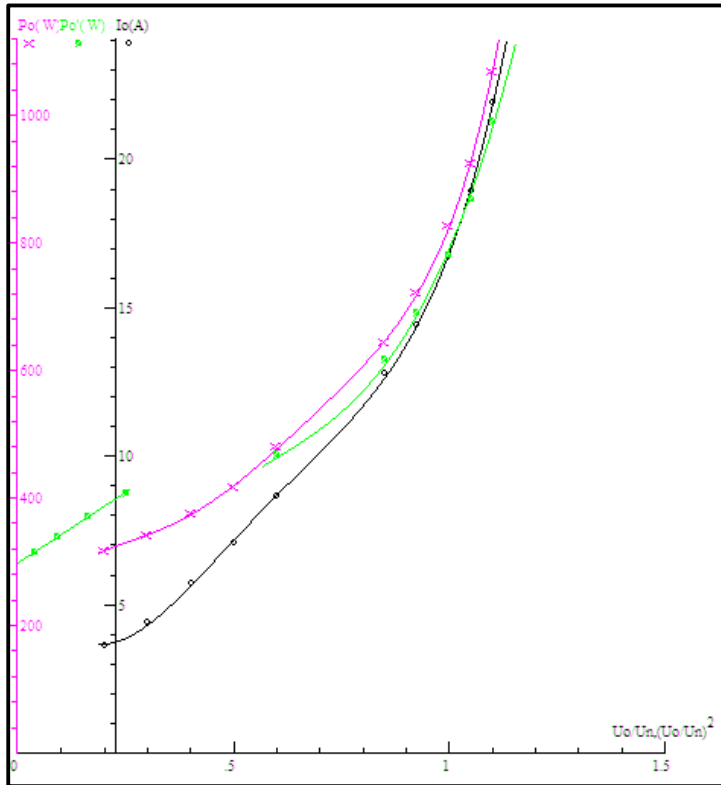
General data			
Frame size	200		
Mounting	B5		
Weight	282.24		Kg
Casing material	Cast iron		
Protection	IP		55
Insulation class/Temperature rise	F	/	B
Tropicalization	Yes		
Vibration class	N		
Duty	S1		
Direction of rotation	Bidirectional		
Method of cooling	IC		411
Cable entry	2-M40x1,5+1M16x1,5		
Standards	IEC/DIN/ISO/VDE/EN		
Execute at Standard	IEC 60034-1		
Feet removable	Yes		
Paintwork	RAL	7024	dark grey
Thermal protections	PTC 150°C		Standard

Site conditions	
Ambient temperature	from -20°C to +40°C
Altitude above sea level	1000 m

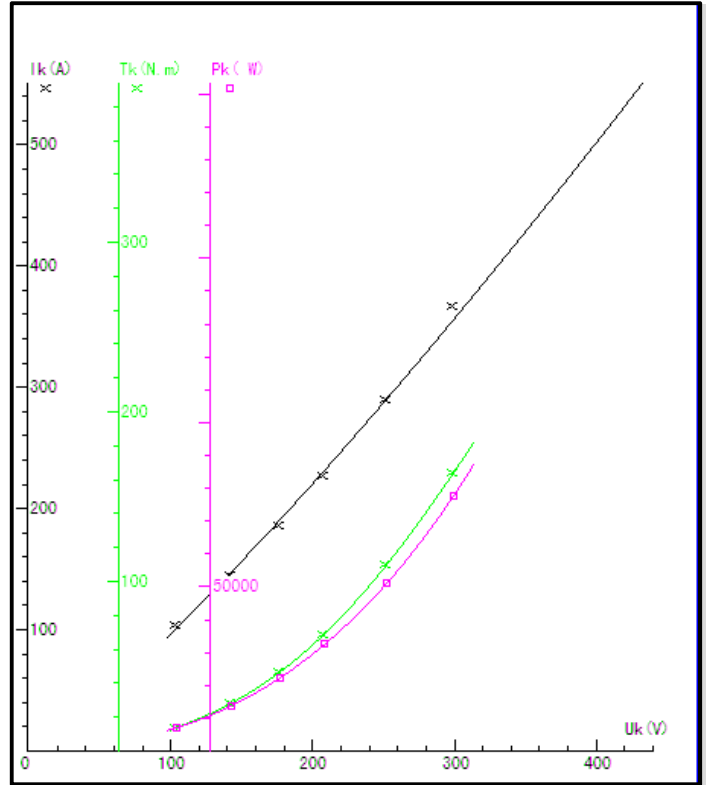
Mechanical data						
Noise level	LpA	75	dB(A)	Bearing DE side	6312-C3	
	LwA	84	dB(A)	Bearing NDE side	6312-C3	
Moment of inertia	0.16462		Kgm ²	Average bearing lifetime	40000 h	
Bearings type			NSK	Relubrication interval L1 DE bearing	8000 h	
Lubricants for bearings	See installation and maintenance manual page 12			Relubrication interval L1 NDE bearing	8000 h	
				Compensation ring		NDE SIDE standard

Type	T3C 200L2-2			Output	37 kW	Voltage	400/690 V	Current	A	Frequency	50 Hz	Kind of test	
Duty	S9			Connection method	Δ / Y	Poles	2 P	Speed	r/min	Basic temp.	95 °C		
Insulation resistance	(M Ω)	Phase vs.Phase	Phase vs.Ground	DC Resistance determination(Ω)		over loading test		160% of Rated torque.for 15S		Pass			
	Cold state			Line R	Value			150% of Rated current.for 120S		Pass			
	Hot state	300		R _{UV}	0,09234	Inter-turns insulation test							
High-voltage	1760 V for		60 S	R _{UV}	0,09226	130% of Rated voltage.for 180		Pass					
	Phase vs.Phase		Pass	R _{VW}	0,0923	Over speed test							
	Phase vs.Ground		Pass	Ambient.	30 °C	120% of Rated max.frequency.for 120S		Pass					
Item		Result	Standard value	Tolerance (%)	Reference temp R (Ω)	0,17241	Hot state temp. (°C)	28,5					
Efficiency	100% P _n	(%)	93,77		Three-phase R deviation (%)	0,04	Middle part of enclosure temp.(°C)	102,2					
	75% P _n	(%)	94,154		No-load current (A)	16,83	Temp. of frame (°C)	70					
	50% P _n	(%)	93,799		No-load current deviation (%)	6	Temp. of Airin-N (°C)	101,3					
Power factor		0,901			No-load input power (W)	825,08	Temp. of Airout-D (°C)	28,5					
Temperature rise of stator winding	0 S	(K)	78,6		Full-load input current (A)	63,24	Environment humidity (%)						
	30/90 S	(K)	78,6		Full-load input power (W)	39458	Degree of protection (IP)	IP55					
Slip (%)		1,3102			Core loss (W)	480,9	Insulation class	F					
Locked current (A)		501,7			Friction and wind age loss(W)	298,42							
Locked rotor current /Rated current		7,93			StatorI2Rloss (W)	706,5	Cold checking test						
Locked torque (Nm)		326,1			RotorI2Rloss (W)	501,42	50 Hz 400/690 V No-load test data						
Locked rotor torque/Rated torque		2,73			Stary-load loss (W)	470,92	No-load current (A)						
Maximum torque (Nm)		344,2			wastage summation (W)	2458,2	No-load power (W) 825,08						
Breakdown torque/Rated torque		2,88			Output (W)	37000	50 Hz V Locked test data						
Pull-up torque (Nm)		181,6			Rated torque (N.m)	119,42	Locked current (A)						
Pull-up torque/Rated torque		1,52			Full-load speed (r/min)	2960,7	Locked power: (W)						
Noise Lp (A) dB													
Vibrancy (mm)													
Bearing temperature rise (K)		58											
Vibration Test													
Displacement (μ m)													
velocity (mm/s)													
Acceleration (m/s ²)					Mechanical check		Complete assembly, Flexible rotating, Correct Direction.						

NO LOAD



LOCKED ROTOR



LOAD

