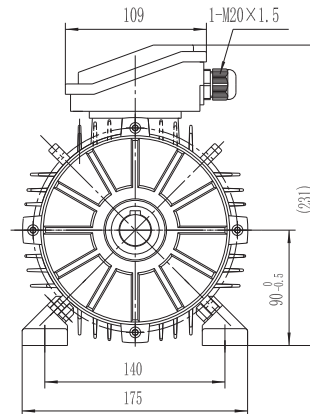
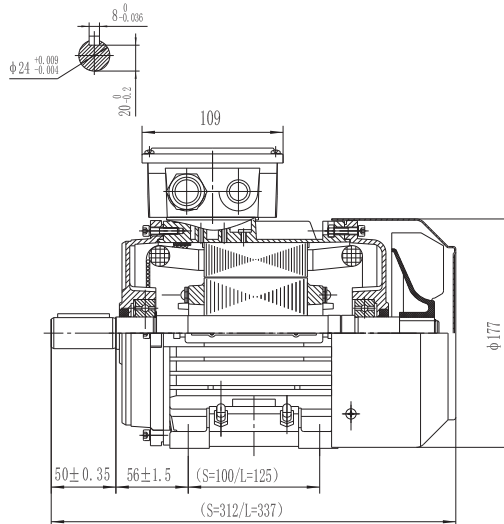


Type T3A 90S-4

Cod. R0900401,1B3A5A0TAMT

Mounting position

IM	B3
IM	1001



Electrical data			
Rated motor power	1.1		Kw
Rated motor speed	1425		min ⁻¹ 50Hz
	1710		min ⁻¹ 60Hz
Rated motor frequency	50		Hz
Rated motor voltage(+/-10%)	230		VΔ/50Hz
	400		VY/50Hz
	280		VΔ/60Hz
	480		VY/60Hz
Rated motor torque	7.37		Nm (Mn)
Rated motor current	4.17	VΔ/50Hz	A (In)
	2.41	VY/50Hz	A (In)
Starting motor current	5.9		xIn
Starting motor torque	2.3		xMn
Breakdown motor torque	2.7		xMn
Starting			D.O.L.
Efficiency class	IE3		
Efficiency	50Hz	60Hz	
	84.9	84.3	100% load
	85.4	83.7	75% load
	83.8	83	50% load
Power factor cosφ	0.78	0.78	100% load

General data			
Frame size	90		
Mounting	B3		
Weight	17.16		Kg
Casing material	Aluminum		
Protection	IP	55	
Insulation class/Temperature rise	F	/	B
Tropicalization	Yes		
Vibration class	N		
Duty	S1		
Direction of rotation	Bidirectional		
Method of cooling	IC	411	
Cable entry	1-M20x1,5		
Standards	IEC/DIN/ISO/VDE/EN		
Execute at Standard	IEC 60034-1		
Feet removable	Yes		
Paintwork	RAL	7024	dark grey
Thermal protections	PTC 150°C		Standard

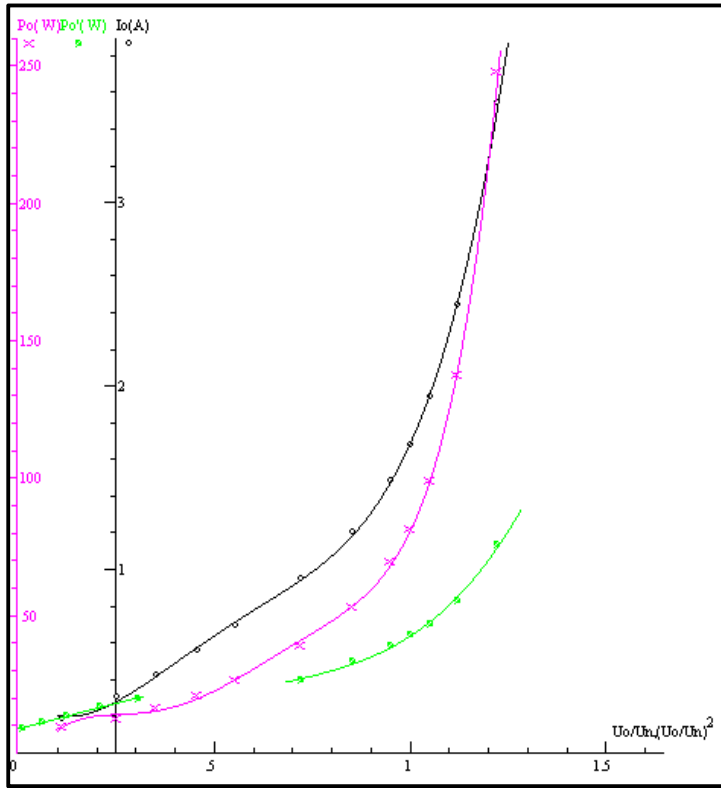
Site conditions	
Ambient temperature	from -20°C to +40°C
Altitude above sea level	1000 m

Mechanical data						
Noise level	LpA	70	dB(A)	Bearing DE side	6205-2RS-C3	
	LwA	80	dB(A)	Bearing NDE side	6205-2RS-C3	
Moment of inertia	0.0029		Kgm ²	Average bearing lifetime	40000 h	
Bearings type			NSK	Relubrication interval L1 DE bearing	life h	
Lubricants for bearings	See installation and maintenance manual page 12			Relubrication interval L1 NDE bearing	life h	
				Compensation ring	NDE SIDE	standard

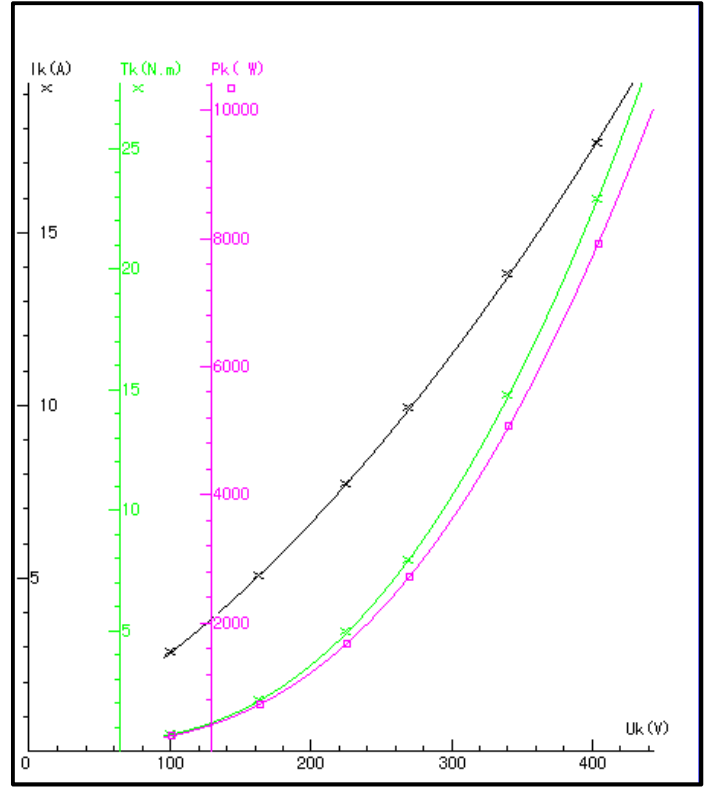
Type: T3A90S-4 Voltage: 400/230 V Design No: Shanghai Techttop Motor Co., Ltp
 Output 1, 1 KW Connection: Y/ Δ
 Frequency: 50 Hz Duty: S1 Report No: 20100824001

Test Item		Standard		Result	
		Nominal	Tol		
1	Efficiency %			84,9	
2	Power Factor			0,725	
3	Tem. Rise of Stator Winding K			36,4	
4	Vibration mm/s				
5	Noise Lp dB (A) (Lw)				
6	Breakdown Torque/Rated Torque			3,12	
7	Pullup Torque/Rated Torque			2,48	
8	Locked Rotor Tor./Rated Tor.			3,08	
9	Locked Rotor Cur./Rated Cur.			6,74	
10	High Voltage Test V			1800	
11	Hot Insulation Res. of Stator Winding MΩ			300	
12	Temperature of Bearing °C			54	
13	Unbalance of Current %			3,39	
14	Full Load line Current A			2,581	
15	Full-load input power (W)			1295,6	
16	Full Load torque Nm			7,2613	
17	Max.temp.of enclosure surface °C			51,9	
18	No Load Current A			1,682	
19	Slip %			3,7778	
20	Winding phase resistance 95 ° C			5,2776	
21	Stary-load loss (W)			15,024	
22	No-load input power (W)			80,373	
23	Core loss (W)			32,649	
24	Friction and wind age loss(W)			8,8331	
25	Locked Rotor Power (W)			7698	
26	StatorI2Rloss (W)			94,969	
27	RotorI2Rloss (W)			44,124	
28	Locked Rotor Voltage 100 V	Current A	2,837	Power W	233,8
		50%eff: 85,385		75%eff: 83,825	

NO LOAD



LOCKED ROTOR



LOAD

