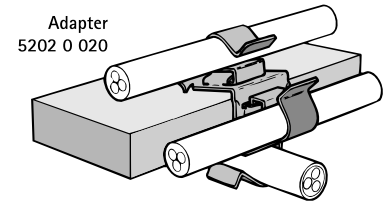
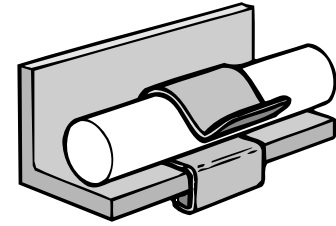


# Britclips® PC Flansch 2-7 mm

(J 20 05)

für Flansch 2 - 7 mm

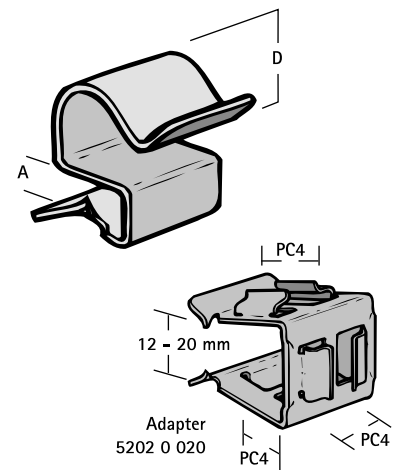


## Vorteile und Eigenschaften

- zur Schnellfixierung von Kabeln
- Material: Federstahl (Typ C67S nach EN10132)
- Oberflächenbeschichtung: Delta-Tone 9000 (480 Stunden)

Art.Nr.	Code	D (mm)	A (mm)	VPE 1	VPE 2
5202 0 604	PC4 5,5	4,5 - 5,5	2 - 4	100	500
5202 0 704	PC4 7	6,0 - 7,0	2 - 4	100	500
5202 0 754	PC4 7-B	6,0 - 7,0	2 - 4	25	-
5202 0 904	PC4 9	7,0 - 9,0	2 - 4	100	500
5202 0 954	PC4 9-B	7,0 - 9,0	2 - 4	25	-
5202 1 104	PC4 11	10,0 - 11,0	2 - 4	100	500
5202 1 154	PC4 11-B	10,0 - 11,0	2 - 4	25	-
5202 1 404	PC4 14	12,0 - 14,0	2 - 4	100	500
5202 1 454	PC4 14-B	12,0 - 14,0	2 - 4	25	-
5202 1 804	PC4 18	15,0 - 18,0	2 - 4	100	500
5202 1 854	PC4 18-B	15,0 - 18,0	2 - 4	25	-
5202 2 404	PC4 24	19,0 - 24,0	2 - 4	100	500
5202 2 454	PC4 24-B	19,0 - 24,0	2 - 4	25	-
5202 3 004	PC4 30	25,0 - 30,0	2 - 4	100	500
5202 3 054	PC4 30-B	25,0 - 30,0	2 - 4	25	-
5202 0 607	PC7 5,5	4,5 - 5,5	4 - 7	100	500
5202 0 707	PC7 7	6,0 - 7,0	4 - 7	100	500
5202 0 757	PC7 7-B	6,0 - 7,0	4 - 7	25	-
5202 0 907	PC7 9	7,0 - 9,0	4 - 7	100	500
5202 0 957	PC7 9-B	7,0 - 9,0	4 - 7	25	-
5202 1 107	PC7 11	10,0 - 11,0	4 - 7	100	500
5202 1 407	PC7 14	12,0 - 14,0	4 - 7	100	500
5202 1 457	PC7 14-B	12,0 - 14,0	4 - 7	25	-
5202 1 807	PC7 18	15,0 - 18,0	4 - 7	100	500
5202 1 857	PC7 18-B	15,0 - 18,0	4 - 7	25	-
5202 2 407	PC7 24	19,0 - 24,0	4 - 7	100	500
5202 2 457	PC7 24-B	19,0 - 24,0	4 - 7	25	-
5202 3 007	PC7 30	25,0 - 30,0	4 - 7	100	500
5202 3 057	PC7 30-B	25,0 - 30,0	4 - 7	25	-

Articles with codes ending in a '-B' are packed in a plastic bag.  
Nur zum Gebrauch bei statischen Belastungen.



Alternative Produkte  
Britclips® GAM8